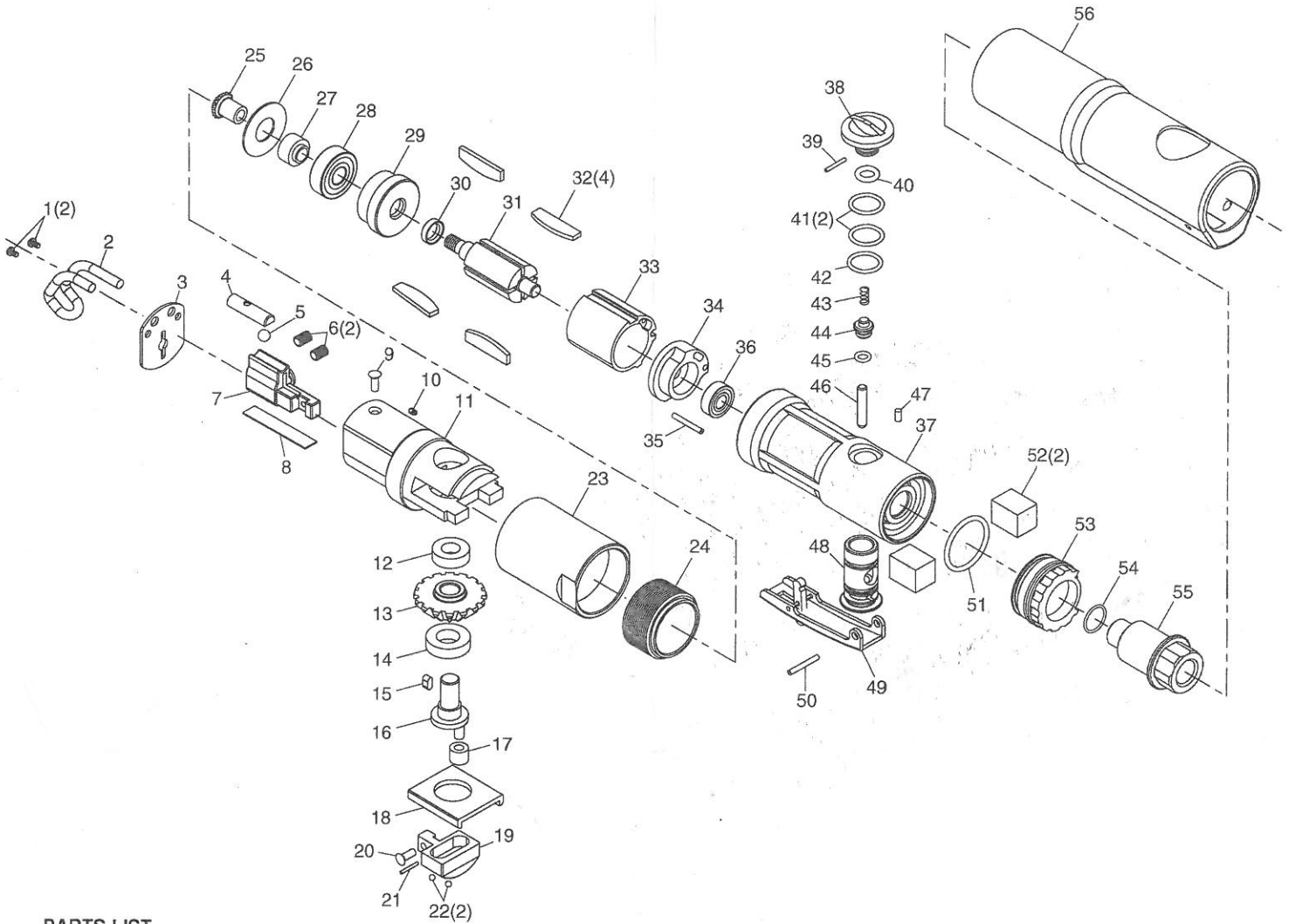


# RECIPRO SAW

## EXPLODED VIEW



### PARTS LIST

Index No.	Parts No.	Description	Qty. Per tool
1	7610-01	Screw	2
2	7610-02	Blade Guide	1
3	7610-03	Head Plate	1
4	7610-04	Guide Pin	1
5	7610-05	Steel Ball	1
6	7610-06	Screw	2
7	7610-07	Blade Holder	1
8	7610-08	Under Plate	1
9	7610-09	Screw	1
10	7610-10	Screw	1
11	7610-11	Head Case	1
12	7610-12	Ball Bearing	1
13	7610-13	Gear	1
14	7610-14	Ball Bearing	1
15	7610-15	Key	1
16	7610-16	Crank Shaft	1
17	7610-17	Roller	1
18	7610-18	Guide Rail	1
19	7610-19	Slide Plate	1
20	7610-20	Hex. Bolt	1
21	7610-21	Roll Pin	1
22	7610-22	Steel Ball	2
23	7610-23	Gear Case	1
24	7610-24	Lock Ring	1
25	7610-25	Pinion	1
26	7610-26	Gasket	1
27	7610-27	Spacer	1
28	7610-28	Ball Bearing	1
29	7610-29	Front Plate	1

Index No.	Parts No.	Description	Qty. Per tool
30	7610-30	Collar	1
31	7610-31	Rotor	1
32	7610-32	Rotor Blade	4
33	7610-33	Cylinder	1
34	7610-34	Rear Plate	1
35	7610-35	Roll Pin	1
36	7610-36	Ball Bearing	1
37	7610-37	Body	1
38	7610-38	Regulator Dial	1
39	7610-39	Roll Pin	1
40	7610-40	O-Ring	1
41	7610-41	O-Ring	2
42	7610-42	O-Ring	1
43	7610-43	Valve Spring	1
44	7610-44	Valve	1
45	7610-45	O-Ring	1
46	7610-46	Valve Shaft	1
47	7610-47	Roll Pin	1
48	7610-48	Regulator	1
49	7610-49	Safety Lever	1
50	7610-50	Roll Pin	1
51	7610-51	O-Ring	1
52	7610-52	Sponge	2
53	7610-53	Exhaust Cover	1
54	7610-54	O-Ring	1
55	7610-55	Inlet Bushing	1
56	7610-56	Body Cover	1