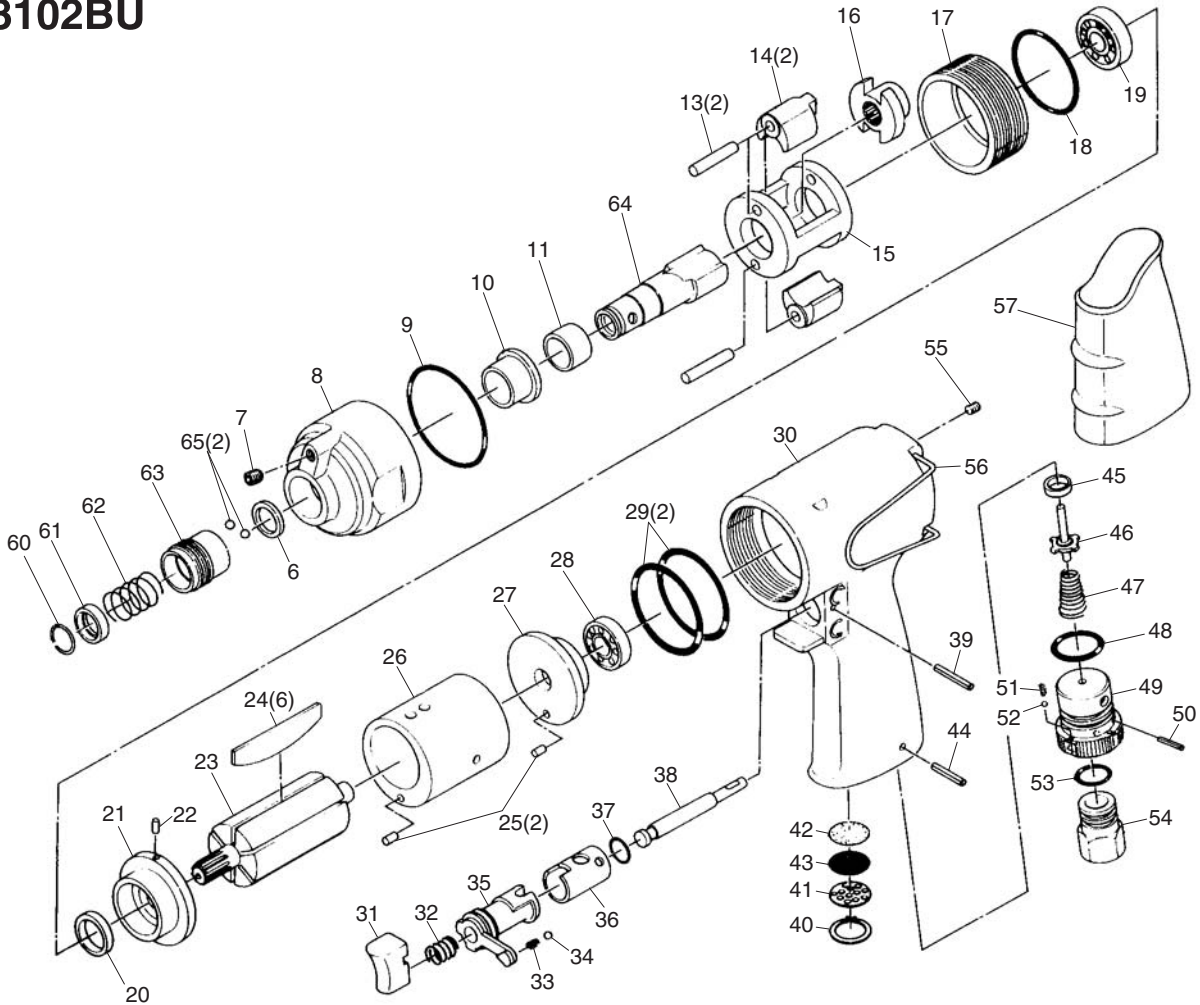


1/4" HEX. IMPACT DRIVER

EXPLODED VIEW

SP-8102BU



PARTS LIST

Index No.	Parts No.	Description	Qty. Per tool
6	8102B-06	Oil Seal	1
7	8102B-07	Oil Plug	1
8	8102B-08	Clutch Housing	1
9	8102B-09	O-Ring	1
10	8102B-10	Bushing	1
11	8102B-11	Collar	1
13	8102B-13	Hammer Pin	2
14	8102B-14	Hammer	2
15	8102B-15	Hammer Cage	1
16	8102B-16	Cam	1
17	8102B-17	Pilot Ring	1
18	8102B-18	O-Ring	1
19	8102B-19	Ball Bearing	1
20	8102B-20	Oil Seal	1
21	8102B-21	Front End Plate	1
22	8102B-22	Spring Pin	1
23	8102B-23	Rotor	1
24	8102B-24	Rotor Blade	6
25	8102B-25	Spring Pin	2
26	8102B-26	Cylinder	1
27	8102B-27	Rear End Plate	1
28	8102B-28	Ball Bearing	1
29	8102B-29	O-Ring	2
30	8102B-30	Housing Body	1
31	8102B-31	Trigger	1
32	8102B-32	Spring	1
33	8102B-33	Rubber Spring	1
34	8102B-34	Steel Ball	1
35	8102B-35	Reverse Lever	1

Index No.	Parts No.	Description	Qty. Per tool
36	8102B-36	Reverse Bushing	1
37	8102B-37	O-Ring	1
38	8102B-38	Valve Stem	1
39	8102B-39	Spring Pin	1
40	8102B-40	Retaining Ring	1
41	8102B-41	Silencer Stopper	1
42	8102B-42	Filter	1
43	8102B-43	Air Screen (Brass)	1
44	8102B-44	Spring Pin	1
45	8102B-45	Valve Seat	1
46	8102B-46	Valve	1
47	8102B-47	Valve Spring	1
48	8102B-48	O-Ring	1
49	8102B-49	Regulator	1
50	8102B-50	Spring Pin	1
51	8102B-51	Spring	1
52	8102B-52	Steel Ball	1
53	8102B-53	O-Ring	1
54	8102B-54	Inlet Bushing	1
55	8102B-55	Screw	1
56	8102B-56	Hanger Hook	1
57	8102B-57	Rubber Grip	1
60	8102B-60	Retaining Ring	1
61	8102B-61	Washer	1
62	8102B-62	Quick Change Spring	1
63	8102B-63	Change Sleeve	1
64	8102B-64	Spindle (Single Bit Type)	1
65	8102B-65	Steel Ball	2