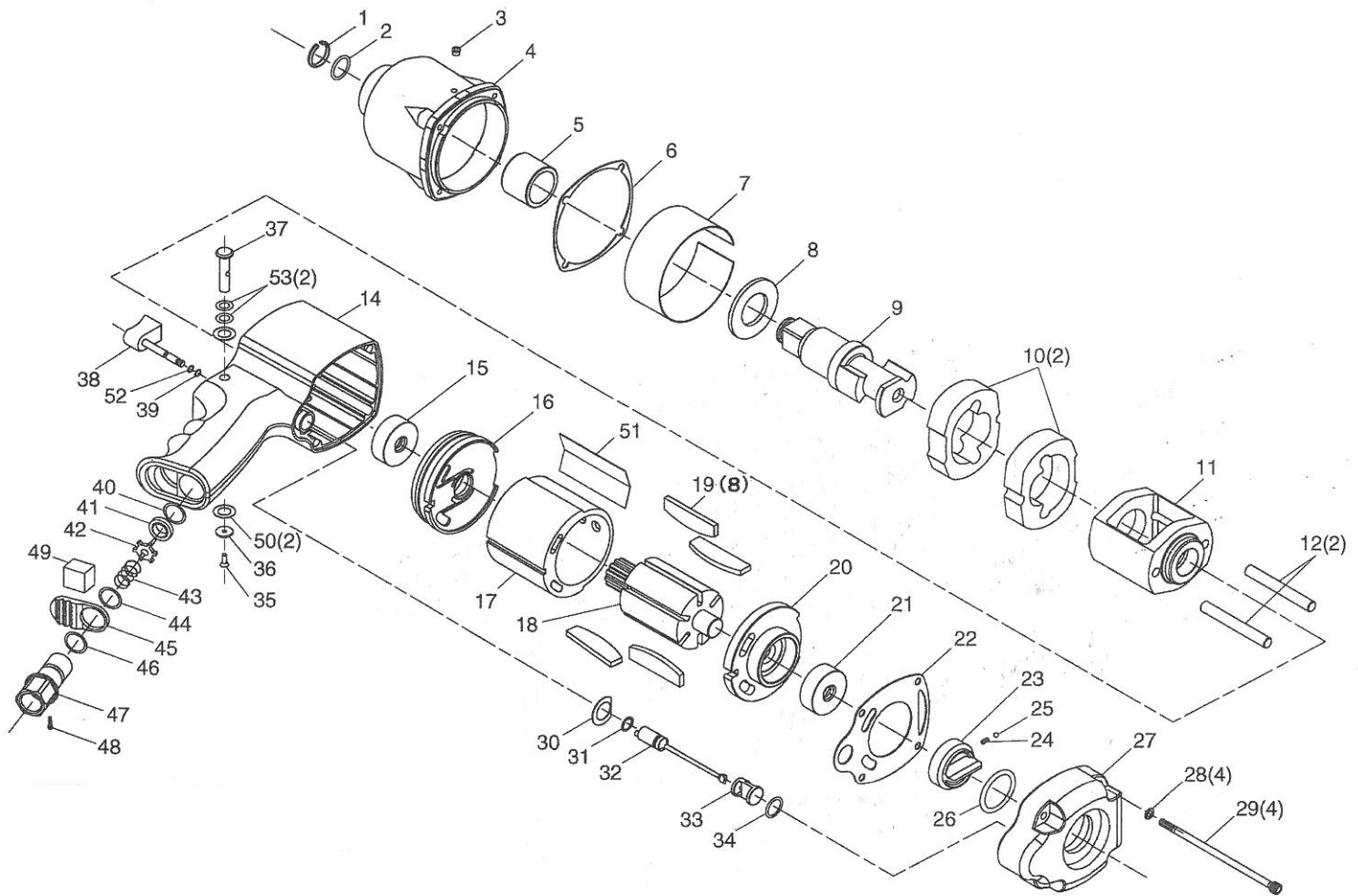


3/4" SQ.DR. IMPACT WRENCH

EXPLODED VIEW



PARTS LIST

Index No.	Parts No.	Description	Qty. Per tool
1	7150-01	Retainer Ring	1
2	7150-02	O-Ring	1
3	7150-03	Grease Fitting	1
4	7150-04	Hammer Case	1
5	7150-05	Hammer Case Bushing	1
6	7150-06	Hammer Case Gasket	1
7	7150-07	Sleeve	1
8	7150-08	Spacer	1
9	7150-09	3/4" Anvil Shank	1
10	7150-10	Hammer	2
11	7150-11	Hammer Frame	1
12	7150-12	Hammer Pin	2
14	7150-14	Motor Housing	1
15	7150-15	Ball Bearing	1
16	7150-16	Front End Plate	1
17	7150-17	Cylinder	1
18	7150-18	Rotor	1
19	7150-19	Rotor Blade	8
20	7150-20	Rear End Plate	1
21	7150-21	Ball Bearing	1
22	7150-22	Housing Cap Gasket	1
23	7150-23	Regulator Dial	1
24	7150-24	Spring	1
25	7150-25	Steel Ball	1
26	7150-26	O-Ring	1
27	7150-27	Housing Cap	1
28	7150-28	Spring Washer	4
29	7150-29	Screw	4
30	7150-30	Spacer	1

Index No.	Parts No.	Description	Qty. Per tool
31	7150-31	O-Ring	1
32	7150-32	Reverse Shaft	1
33	7150-33	Reverse Valve	1
34	7150-34	O-Ring	1
35	7150-35	Screw	1
36	7150-36	Washer	1
37	7150-37	Reverse Button	1
38	7150-38	Trigger	1
39	7150-39	O-Ring	1
40	7150-40	O-Ring	1
41	7150-41	Valve Seat	1
42	7150-42	Valve	1
43	7150-43	Valve Spring	1
44	7150-44	O-Ring	1
45	7150-45	Deflector	1
46	7150-46	O-Ring	1
47	7150-47	Inlet Bushing	1
48	7150-48	Screw	1
49	7150-49	Muffler Foam	1
50	7150-50	Cushion Ring	2
51	7150-51	Plate	1
52	7150-52	O-Ring	1
53	7150-53	O-Ring	2

The types and specifications may be changed without notice.
7150 200907S