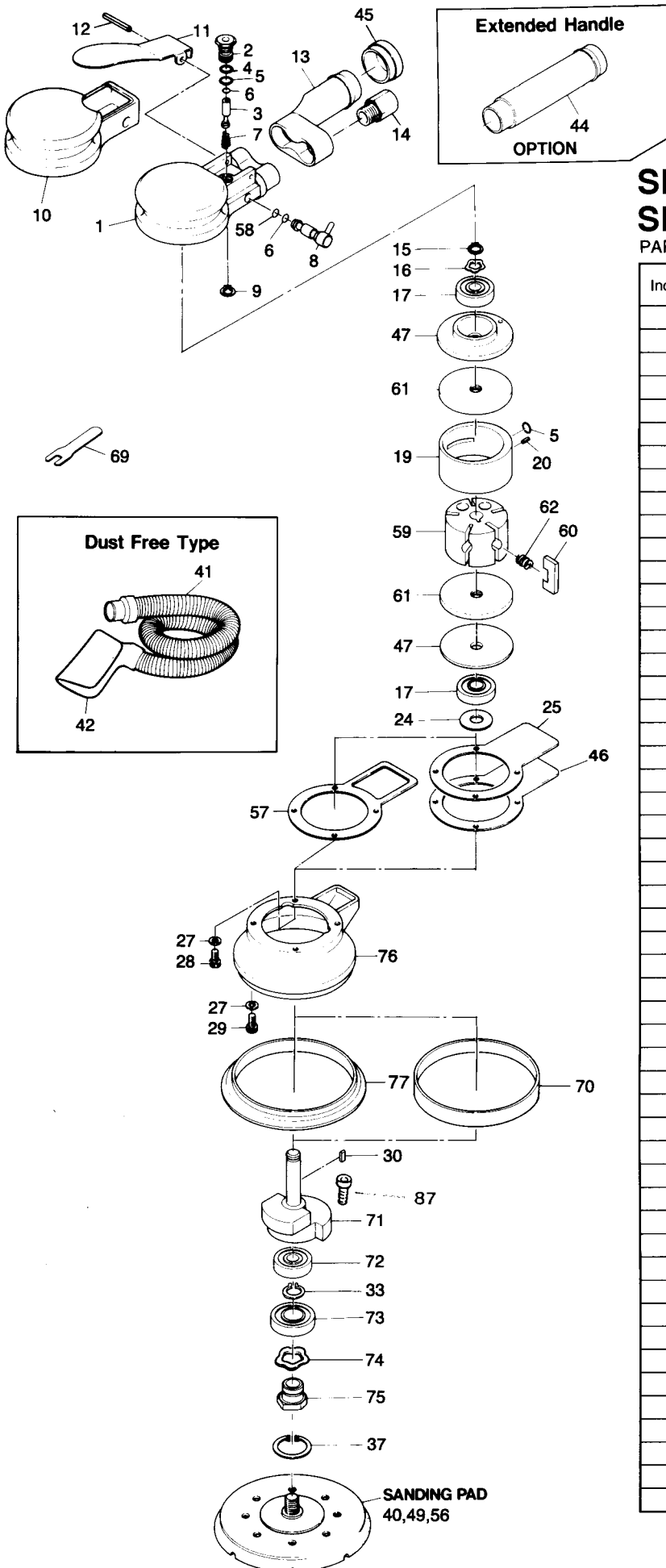


6" DUAL ACTION SANDER

EXPLODED VIEW



SP-3606-A5 SP-3606DF-A5

PARTS LIST

Index No.	Parts No.	Description	Qty. Per tool
1	3606A501	Housing Body	1
2	3606A502	Valve Bushing	1
3	3606A503	Valve Shaft	1
4	3606A504	"O" Ring	1
5	3606A505	"O" Ring	2
6	3606A506	"O" Ring	2
7	3606A507	Valve Spring	1
8	3606A508	Regulator with Pin	1
9	3606A509	Retaining Ring (E Type)	1
10	3606A510	Body Cover	1
11	3606A511	Valve Lever	1
12	3606A512	Spring Pin	1
13	3606A513	Exhaust Cover	1
14	3606A514	Inlet Bushing	1
15	3606A515	Retaining Ring (C Type)	1
16	3606A516	Wave Washer	1
17	3606A517	Ball Bearing	2
19	3606A519	Cylinder	1
20	3606A520	Spring Pin	1
24	3606A524	Bearing Seal	1
25	3606A525	Gasket	[1]
27	3606A527	Spring Washer	4
28	3606A528	Hex. Screw	1
29	3606A529	Hex. Screw	3
30	3606A530	Key	1
33	3606A533	Retaining Ring (C Type)	1
37	3606A537	Retaining Ring (C Type)	1
40	3606A540	6" Epoxy Glass Pad (Non-DF,Glue-on)	[1]
41	3606A541	Dust Hose	[1]
42	3606A542	Dust Bag	[1]
44	3606A544	Extended Handle	[1]
45	3606A545	Handle Cap	[1]
46	3606A546	Gasket (Vinyl)	[1]
47	3606A547	End Plate	2
49	3606A549	6" Epoxy Glass Pad (DF, Velcro)	[1]
56	3606A556	6" Epoxy Glass Pad (DF, Glue-on)	[1]
57	3606A557	Gasket for DF Type	[1]
58	3606A558	"O" Ring	[1]
59	3606A559	Rotor	1
60	3606A560	Rotor Blade	5
61	3606A561	Side Plate	2
62	3606A562	Spring	5
69	3606A569	Spanner Wrench	1
70	3606A570	Rubber Cover Band (for Non DF Type)	1
71	3606A571	Balancer Shaft	1
72	3606A572	Ball Bearing	1
73	3606A573	Ball Bearing	1
74	3606A574	Wave Washer	1
75	3606A575	Pad Shaft	1
76	3606A576	Cover	1
77	3606A577	Rubber Cover (for DF Type)	[1]
87	3606A587	Hex. Screw	1

The types and specifications may be changed without notice.
200306s 3606A5