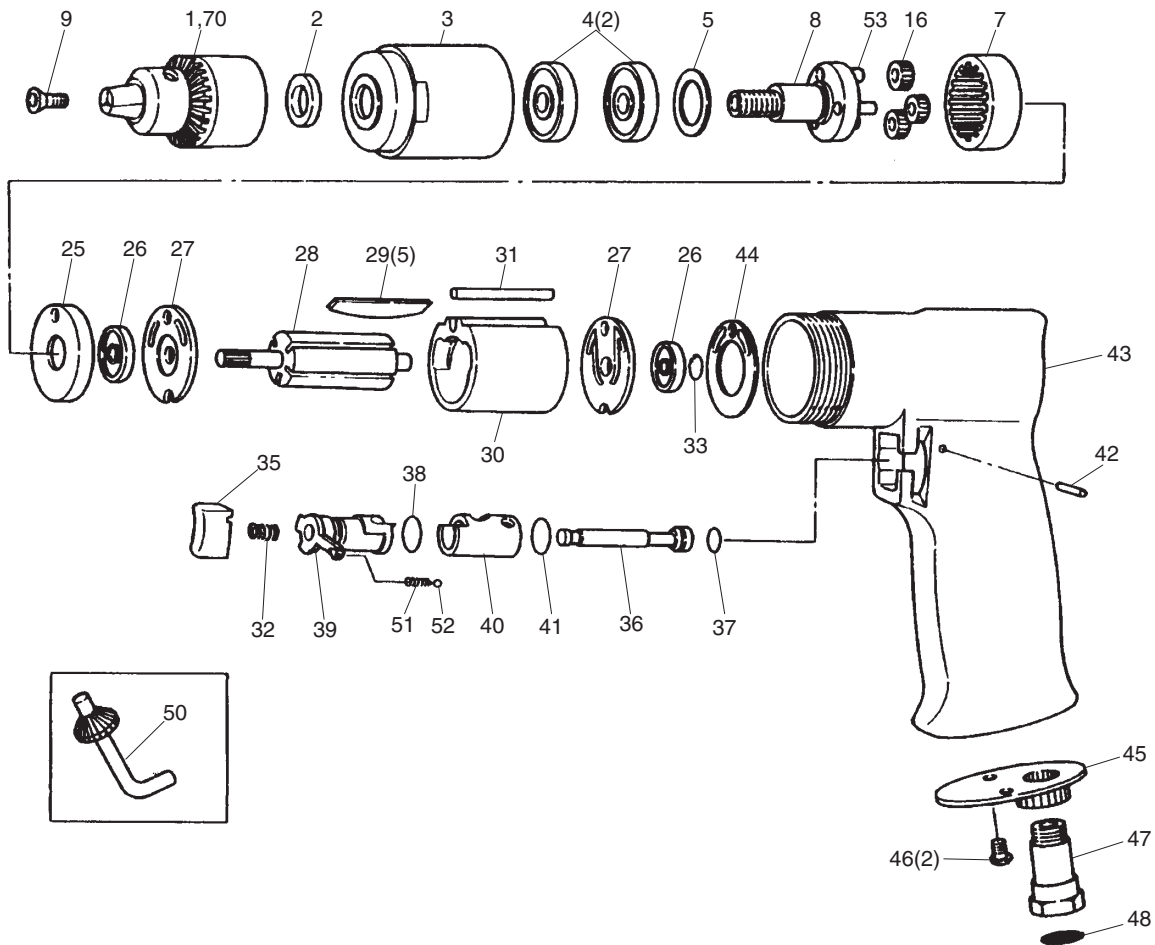


# 3/8" CAP. 2,000RPM REVERSE DRILL

## EXPLODED VIEW SP-1525(KL)



### PARTS LIST

Index No.	Parts No.	Description	Qty. Per tool
1	525-01	Drill Chuck	1
2	525-02	Chuck Spacer	1
3	525-03	Clamp Nut	1
4	525-04	Ball Bearing	2
5	525-05	Phenolic Washer	1
7	525-07	Internal Gear	1
8	525-08	Planet Carrier Assy (Incl:53)	1
9	525-09	Screw	1
16	525-16	Planet Gear	3
25	525-25	Bearing Case	1
26	525-26	Ball Bearing	1
27	525-27	End Plate	2
28	525-28	Rotor	1
29	525-29	Rotor Blade	5
30	525-30	Cylinder	1
31	525-31	Motor Pin	1
32	525-32	Valve Spring	1
33	525-33	Retaining Ring	1
35	525-35	Trigger	1
36	525-36	Trigger Valve	1
37	525-37	O-Ring	1
38	525-38	O-Ring	1
39	525-39	Reverse Valve	1
40	525-40	Reverse Valve Bush	1
41	525-41	O-Ring	1
42	525-42	Pin	1
43	525-43	Motor Housing	1
44	525-44	Motor Gasket	1
45	525-45	Exhaust Deffuser	1

Index No.	Parts No.	Description	Qty. Per tool
46	525-46	Screw	2
47	525-47	Air Inlet	1
48	525-48	Screen	1
50	525-50	Chuck Key	1
51	525-51	Rubber Spring	1
52	525-52	Steel Ball	1
53	525-53	Gear Pin (Incl:8)	3
70	525-70	Key Less Chuck	1

The types and specifications may be changed without notice.  
525 200804S