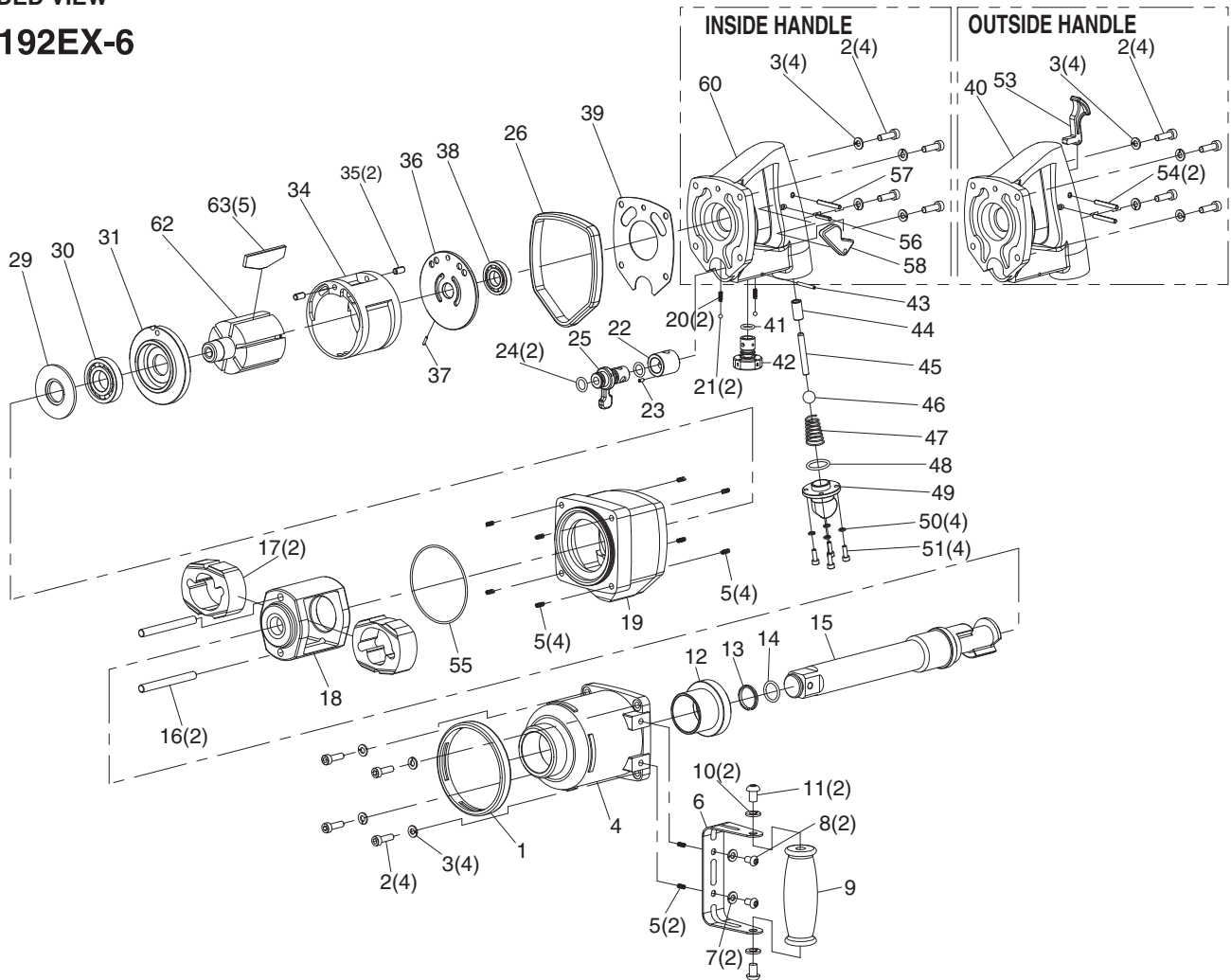


1" IMPACT WRENCH

EXPLODED VIEW

SP-1192EX-6



PARTS LIST

Index No.	Parts No.	Description	Qty. Per tool
1	192EX-01	Hammer Case Band	1
2	192EX-02	Cap Screw	8
3	192EX-03	Spring Washer	8
4	192EX-04	Hammer Case (incl:12)	1
5	192EX-05	Helically Coiled Insert	10
6	192EX-06	Handle Bracket	1
7	192EX-07	Spring Washer	2
8	192EX-08	Hex.Socket Bolt	2
9	192EX-09	Support Handle	1
10	192EX-10	Spring Washer	2
11	192EX-11	Cap Screw	2
12	192EX-12	Hammer Case Bushing	1
13	192EX-13	Retaining Ring	1
14	192EX-14	O-Ring	1
15	192EX-15	6" Long Anvil	1
16	192EX-16	Hammer Pin	2
17	192EX-17	Hammer	2
18	192EX-18	Hammer Frame	1
19	192EX-19	Motor Housing (incl:5)	1
20	192EX-20	Spring	2
21	192EX-21	Steel Ball	2
22	192EX-22	Reverse Valve Bushing	1
23	192EX-23	Set Screw	1
24	192EX-24	O-Ring	2
25	192EX-25	Reverse Lever	1
26	192EX-26	Housing Band	1
29	192EX-29	Spacer	1
30	192EX-30	Ball Bearing	1
31	192EX-31	Front End Plate	1
34	192EX-34	Cylinder	1

Index No.	Parts No.	Description	Qty. Per tool
35	192EX-35	Spring Pin	2
36	192EX-36	Rear End Plate	1
37	192EX-37	Spring Pin	1
38	192EX-38	Ball Bearing	1
39	192EX-39	Motor Case Gasket	1
40	192EX-40	Handle Frame Assy (Outside)(incl:22,23,44)	1
41	192EX-41	O-Ring	1
42	192EX-42	Regulator	1
43	192EX-43	Spring Pin	1
44	192EX-44	Throttle Bushing	1
45	192EX-45	Throttle Valve Shaft	1
46	192EX-46	Valve Ball	1
47	192EX-47	Valve Spring	1
48	192EX-48	O-Ring	1
49	192EX-49	Inlet Bushing	1
50	192EX-50	Spring Washing	4
51	192EX-51	Cap Screw	4
53	192EX-53	Throttle Lever (Outside)	1
54	192EX-54	Spring Pin	2
55	192EX-55	O-Ring	1
56	192EX-56	Spring Pin	1
57	192EX-57	Spring Pin	1
58	192EX-58	Throttle Lever (Inside)	1
60	192EX-60	Handle Frame Assy (Inside)(incl:22,23,44)	1
62	192EX-62	Rotor	1
63	192EX-63	Rotor Blade	5