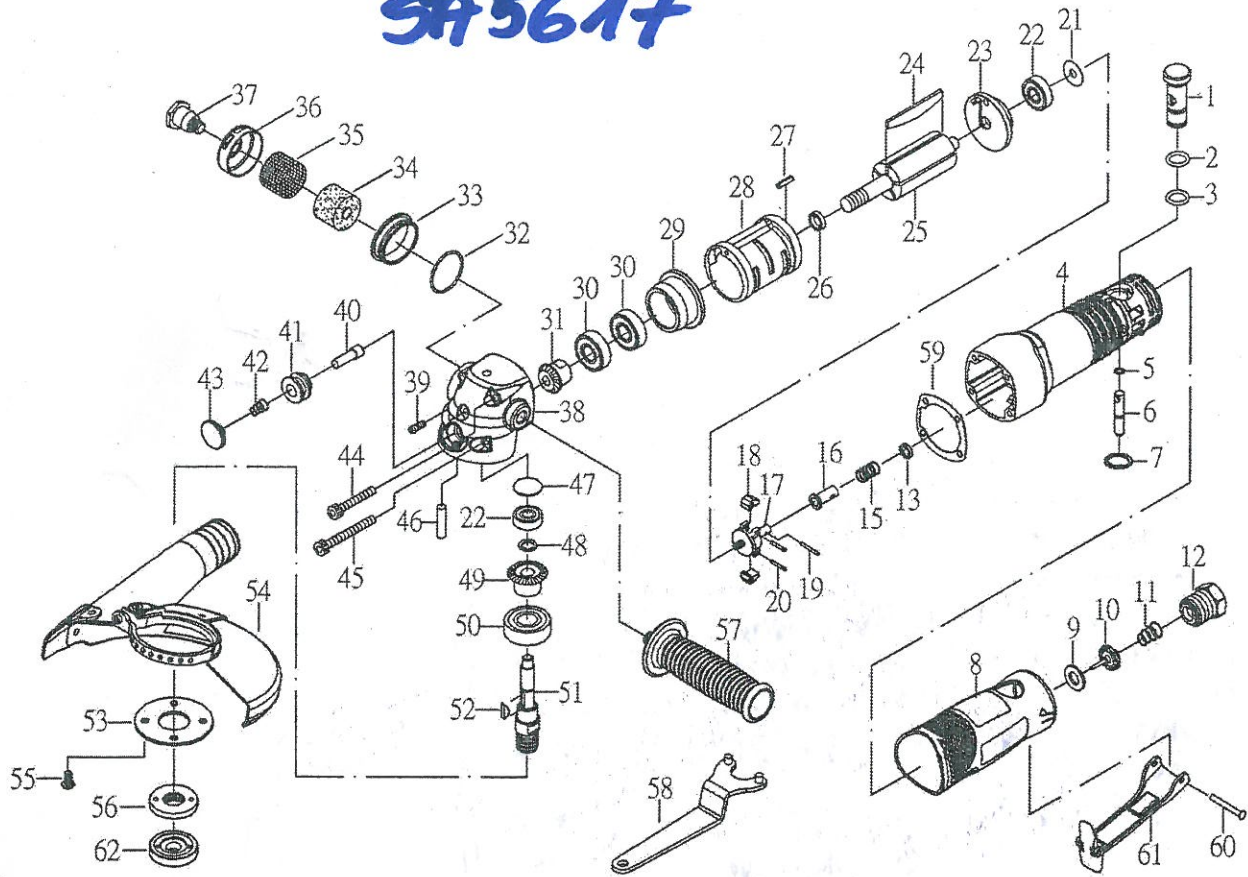


# 5" H.D. Angle Grinder With Central Vacuum Wheel

## SA5617



NO	PART NO	DESCRIPTION	QTY
1	ST87001	REGULATOR	1
2	OB-02	O-RING (P10)	1
3	ST288303	O-RING (P9)	1
4	ST85504	HOUSING	1
5	OB-04	O-RING (3.5*1.4)	1
6	CT288306	VALVE STEM	1
7	OB-30	SNAP RING	1
8	ST85508A	PROTECTING RUBBER	1
9	OB-06	WASHER	1
10	STOB-08	VALVE	1
11	OB-09-1	SPRING	1
12	70426	AIR INLET	1
13	ST87020	SPRING HOLDER	1
15	ST87022	SPRING (9.7*1.2T*16.5)	1
16	ST87023	GOVERNOR VALVE	1
17	ST87027	GOVERNOR CAGE	1
18	ST87025	GOVERNOR WEIGHT	2
19	ST87024	PIN (2*11.8L)	1
20	ST87026	GOVERNOR PIN	2
21	ST88051-1	WASHER	2
22	21024	BEARING (608ZZ)	2
23	ST85030	REAR PLATE	1
24	ST85031	ROTOR BLADE	5
25	ST85032	ROTOR	1
26	ST85046	BEARING SPACER	1
27	ST85527	PIN	1
28	ST85034	CYLINDER	1
29	ST85035	FRONT PLATE	1
30	70048A	BEARING (6000ZZ)	2
31	ST85531A	BEVEL GEAR (13T)	1
32	70011	O-RING (26.7*1.78 A-023)	1

NO	PART NO	DESCRIPTION	QTY
33	ST85039-1	BUSHING	1
34	ST87041	SILENCER	1
35	ST85535	STAINLESS MESH	1
36	ST85536	EXHAUST SLEEVE	1
37	ST85537	ADAPTER	1
38	ST855A38	ANGLE HOUSING	1
39	80528	SCREW (M5*6L)	1
40	ST85540	SHAFT STEM	1
41	ST85541	BUSHING	1
42	ST85542	SPRING	1
43	ST85543	PUSH BUTTON	1
44	70415-2	SCREW (M5*45L)	2
45	AGD100-26	SCREW (M5*55L)	2
46	ST85546	PIN (3*12L)	1
47	70412-1	SPACER	1
48	OB-17	RETAINING RING	1
49	ST85549A	BEVEL GEAR (19T)	1
50	ST87036A	BEARING (6202ZZ)	1
51	ST85551.1A	SHAFT (M14*2P)	1
52	ST70407	KEY	1
53	ST80537-3	FACE PLATE	1
54	ST-855C54	DISC COVER (5")	1
55	ST70403A	SCREW	4
56	ST85562.1A	DISC NUT (M14*2P)	1
57	BT85557	HANDLE	1
58	BT87057.1	DISC SPANNER (180mm)	1
59	ST85559	PACKING	1
60	12012.1	SPRING PIN	1
61	ST200A13	SAFETY THROTTLE	1
62	ST85563.1A	DISC NUT (M14*2P)	1

WE RESERVE THE RIGHT FOR ANY DESIGNING CHANGES TO THE PARTS AND WITHOUT ANY NOTICEMENT IN ADVANCE.

SA5617 2016 01 (4)