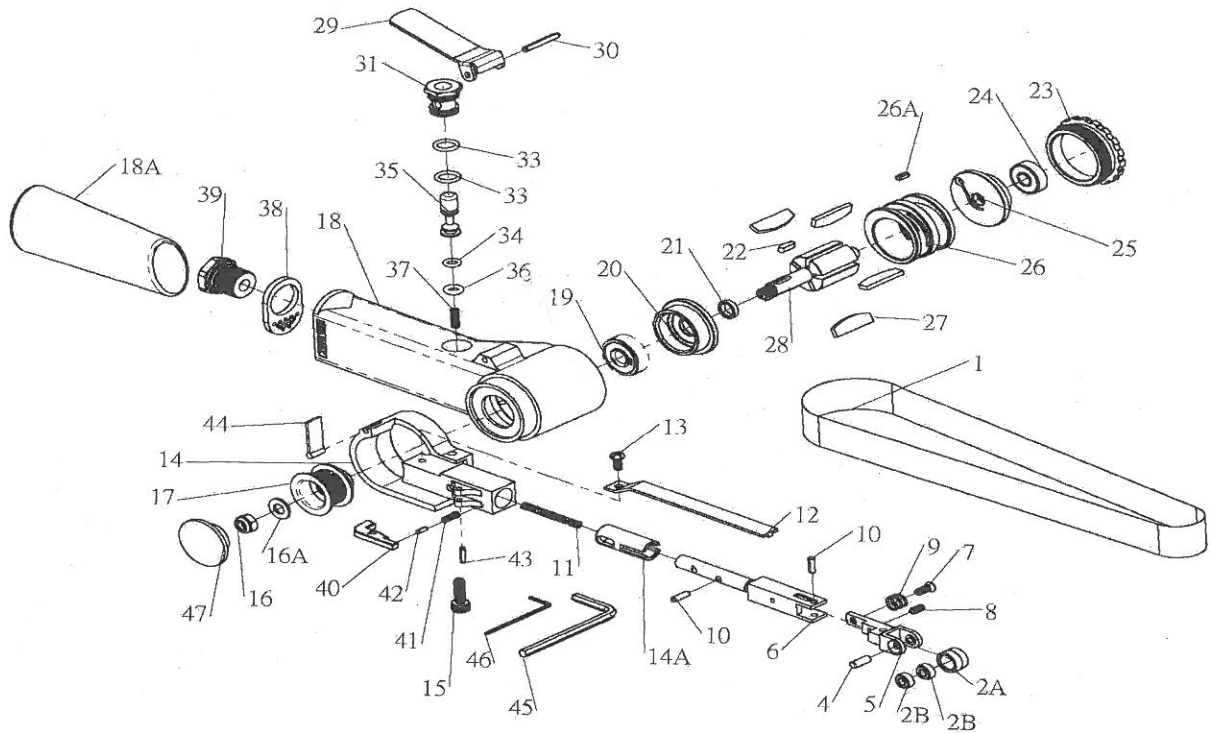


Belt Sander Assembly And Parts List



SA4501A

INDEX NO	PARTS.NO.	DESCRIPTION	QTY
1	309A01	Grinding Belt (#100)	1
1A	309A01A	Grinding Belt (#80)	1
1B	309A01B	Grinding Belt (#120)	1
2	309A02	Idle Pulley 10 Sub Assy	1set
2A	309A02A	Idle Pulley	1
2B	BB-06842	Ball Bearing (684zz)	2
4	NR-40108	Needle Roller	1
5	30905B	Bracket 10	1
6	309A06	Tension Bar 10	1
7	S5-3010C	Cross-Recessed Flat Head Machine Screw (3x10)	1
8	SS-0308A	Hexagon Socket Headless Set Screw (3*8)	1
9	309A09	Spring (1.0*7.2*6.5)	1
10	SP-30100	Spring Pin (3*10)	2
11	309A11	Spring (1.0*5.0*40)	1
12	309A12	Shoe 10	1
13	S4-4008B	Cross-Recessed Flat Head Machine Screw	1
14	309A14	Guard Sub Assy A	1
14A	309A14A	Guard Bushing	1
15	B2-0515A	Hexagon Socket Head Bolt (5*15)	1
16	309A16	Hexagon Nut (M6)	1
16A	309A16A	Washer	1
17	309A17	Drive Pulley	1
18	309A18	Housing	1
18A	309A18A	cover	1
19	BB-06282	Ball Bearing (628zz)	1
20	309A20	End Plate B	1
21	309A21	Spacer (φ 8*φ 11*3)	1

INDEX NO	PARTS.NO.	DESCRIPTION	QTY
22	K-030310	Sunk Key (3*3*10)	1
23	309A23	Cap	1
24	BB-06072	Ball Bearing (607zz)	1
25	309A25	End Plate A	1
26	309A26	Cylinder	1
26A	SP-30060	Pin (φ 3*6)	1
27	309A27	Blade Assy(5pc/set)	1set
28	309A28	Rotor	1
29	309A29	Throttle Lever	1
30	SP-30230	Lever Pin	1
31	309A31I - I	Velve Body	1
33	ORP-0090	O-Ring(P9)	2
34	ORP-0050	O-Ring(P5)	1
35	309A35I	Valve Stem	1
36	302034	O-Ring(φ 3.6*2.4)	1
37	309A37	Valve Spring	1
38	309A38	Deflector	1
39	306003	Air Intet	1
40	309A40	Tension Bar	1
41	309A41	Spring	1
42	SP-20060	Lever Pin (φ 2*6)	1
43	SP-25100	Lever Pin (φ 2.5*10)	1
44	309A44	Dust Cover	1
45	301036	Hexagon Wrench Key 4	1
46	309A39	Hexagon Wrench Key 1.5	1
47	309NA18A	Guard	1