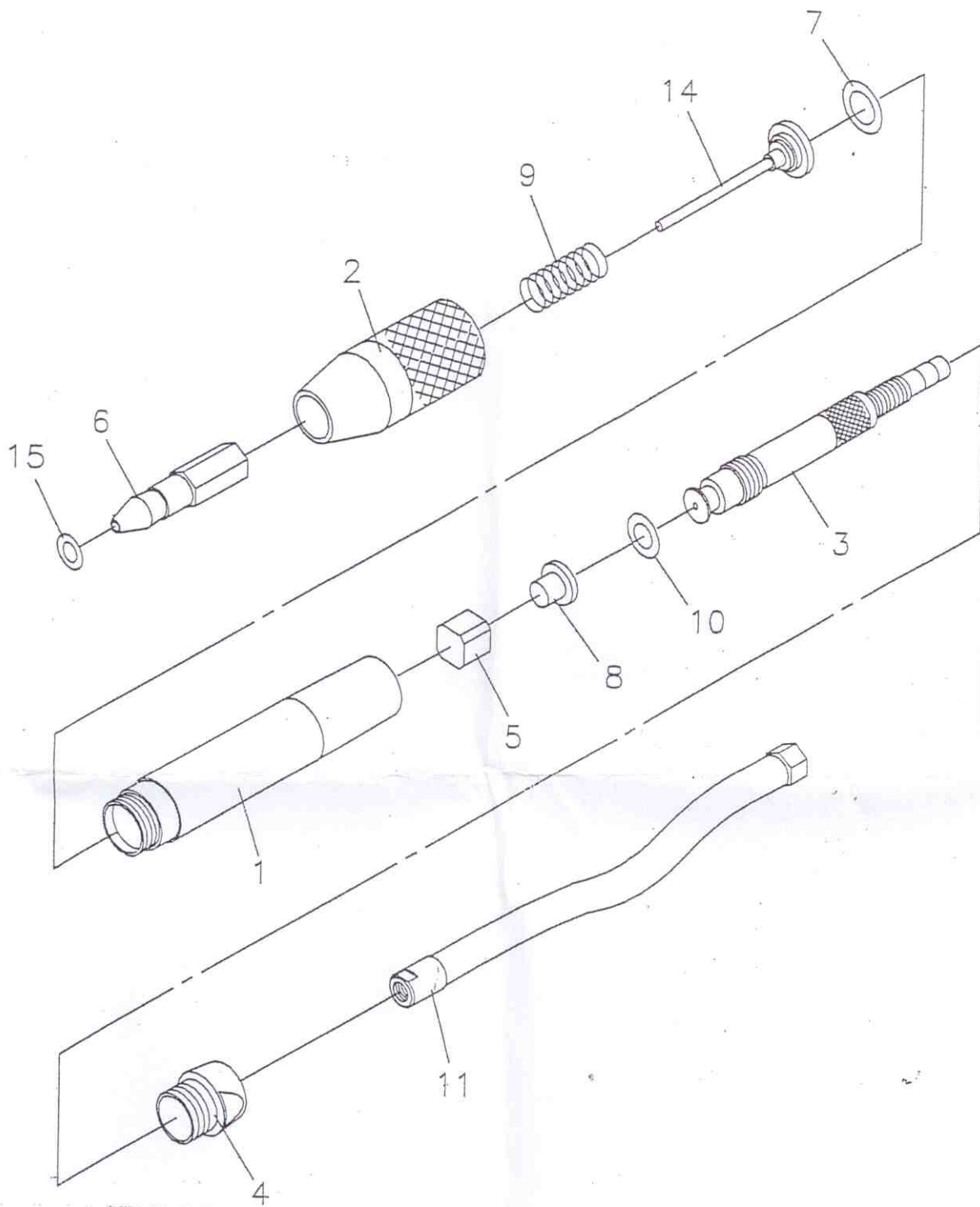


# SA8706 AIR ENGRAVING PEN



Ref No.	Description
1	Body
2	Nose
3	Throttle Valve
4	Ring Nut
5	Valve Seat
6	Needle Guide
7	O-Ring (P8)
8	Seal
9	Spring

Ref No.	Description
10	O-Ring (5.2x2.6mm)
11	Air Inlet with Hose
12	Engraving Needle for Thin Plate (Optional)
13	Engraving Needle for Medium Plate (Optional)
14	Engraving Needle for Thick Plate
15	O-Ring (5x1.8mm)