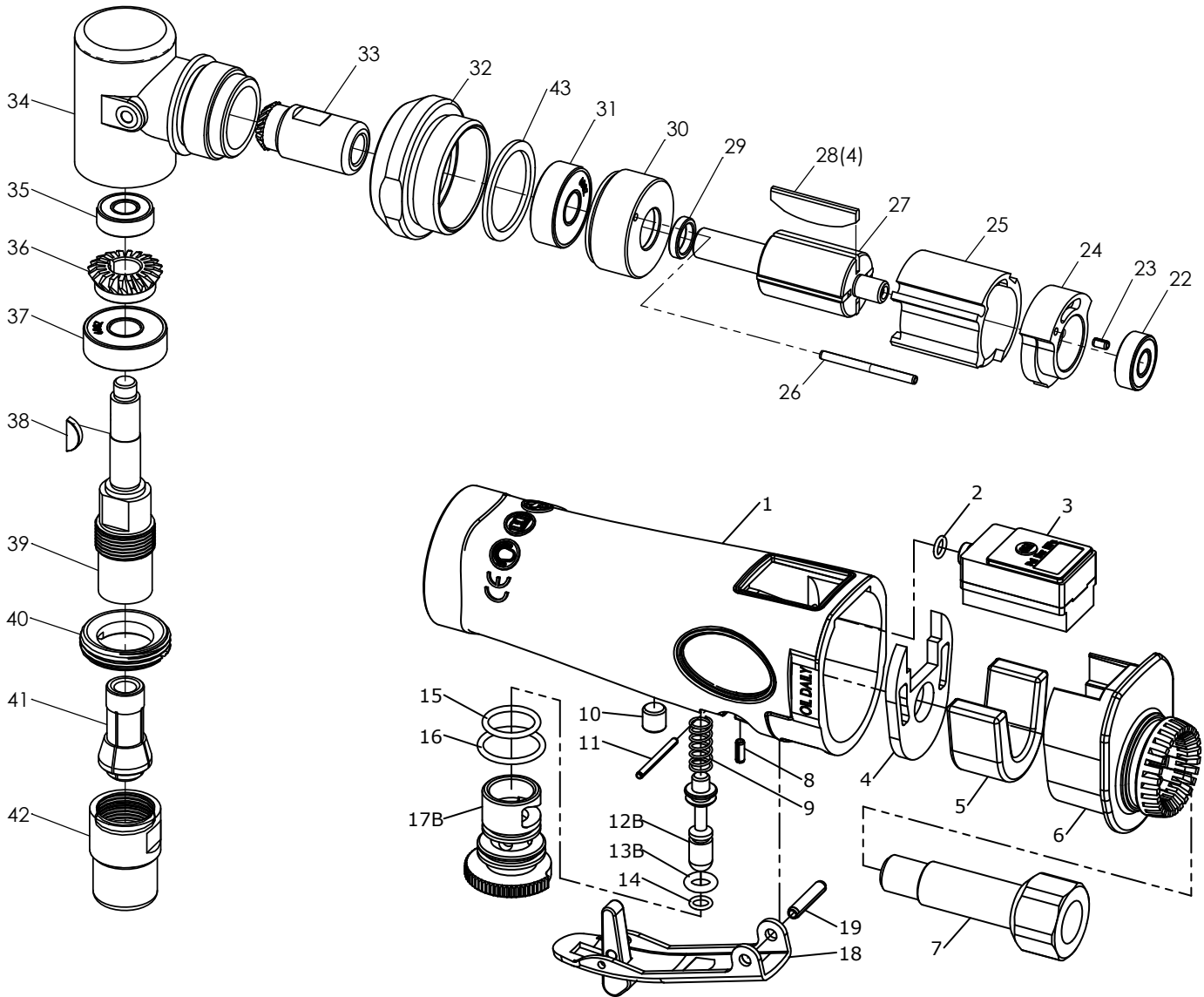


Technical Details	Speed	Power	Collet	Length	Weight	Consumption	Vibration	Noise dB(A)	Uncertainty	Air Inlet	Pressure
	RPM	KW/HP	mm/inch	mm/inch	kg/lb	LPM / CFM	m/s <sup>2</sup>	LpA LwA	KpA KWA	inch	Bar / PSI
<b>74100</b>	20,000	0.22 (0.3)	6.0 (1/4)	185 (7.3)	0.62 (1.4)	57 (2.0)	< 2.5	78.4 89.4	3	1/4	4.5 (65)



Index No.	Description	Quantity	Index No.	Description	Quantity	Index No.	Description	Quantity
1	Motor Housing, Incl;	1	15	O-Ring S12.5	1	31	Ball Bearing <608Z>	1
2	O-Ring Ø1 x IDØ4	1	16	O-Ring S15	1	32	Lock Ring	1
3	Digital Gauge	1	17B	Regulator	1	33	Gear	1
4	Gasket	1	18	Safety Trigger	1	34	Head	1
5	Muffer	1	19	Spring Pin Ø3 x 16mm	1	35	Ball Bearing <696 ZZ>	1
6	Muffer Detector	1	22	Ball Bearing <696 ZZ>	1	36	Gear	1
7	Air Inlet	1	23	Spring Pin Ø2 x 4mm	1	37	Ball Bearing <608Z>	1
8	Spring Pin Ø2 x 6mm	1	24	Rear End Plate	1	38	Key	1
9	Spring	1	25	Cylinder	1	39	Spindle	1
10	M6 x 6mm Set Screw	1	26	Spring Pin Ø2 x 28mm	1	40	Lock Nut	1
11	Spring Pin Ø1.5 x 20mm	1	27	Rotor	1	41	Collet	1
12B	Valve Stem	1	28	Blade	4	42	Collet Jacket	1
13B	O-Ring P4	1	29	Spacer	1	43	Collar	1
14	O-Ring Ø1 x IDØ4	1	30	Front End Plate	1			