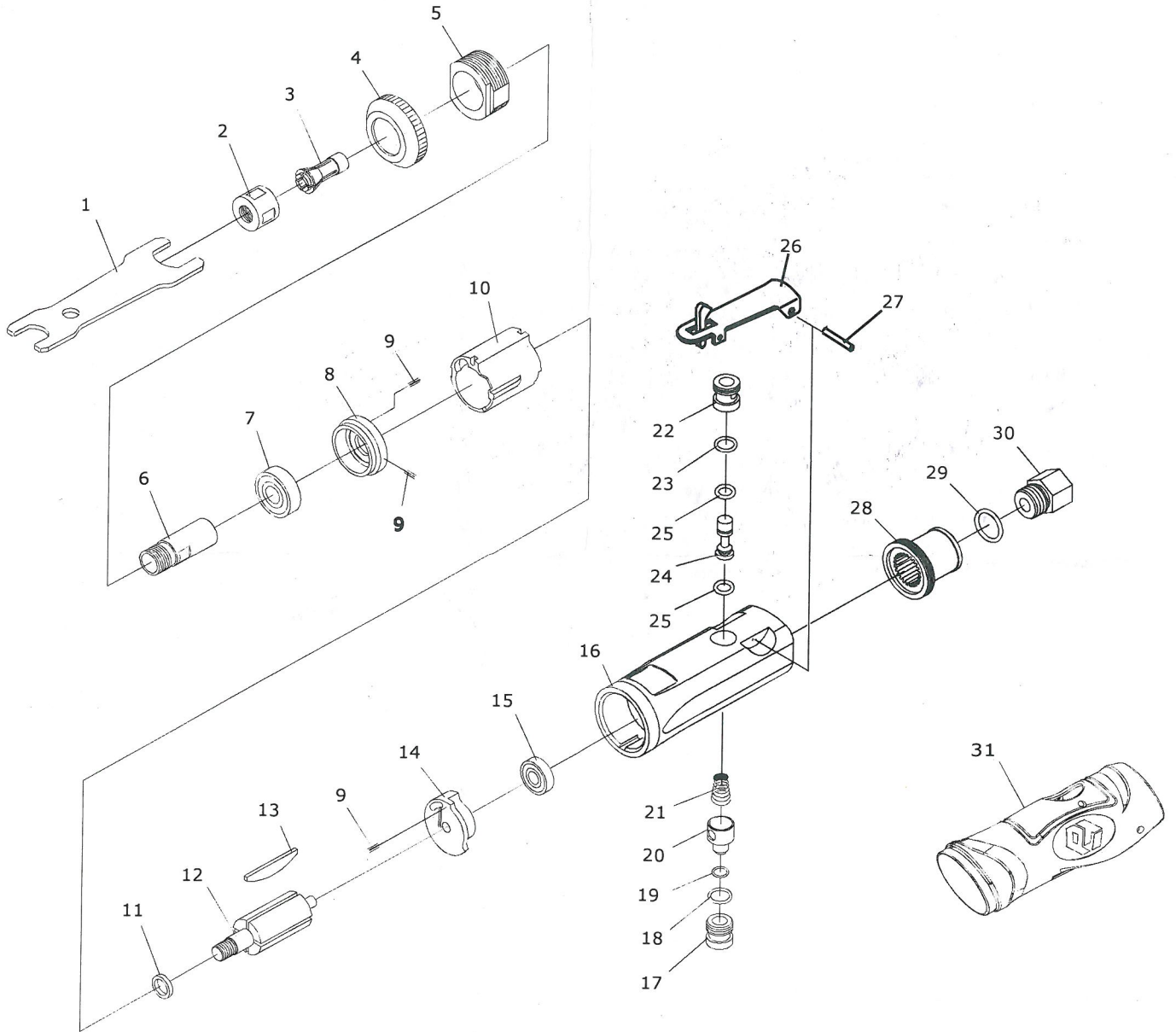


| Technical Details | Speed RPM | Power KW/HP | Length mm/inch | Weight kg/lb | Consumption LPM / CFM | Noise (DB) LpA LwA | Uncertainty KpA KwA | Vibration m/s ² | Air Inlet inch | Pressure Bar / PSI |
|-------------------|--------------|----------------|-------------------|-----------------|--------------------------|-----------------------|------------------------|-------------------------------|-------------------|-----------------------|
| 71000 | 22000 | 0.37 (0.5) | 177 (7.0) | 0.6 (1.3) | 62 (2.2) | 87 98 | 3 | 2.75 | 1/4" | 6.3 (90) |



| Index No. | Description | Quantity | Index No. | Description | Quantity | Index No. | Description | Quantity |
|-----------|--------------------|----------|-----------|----------------------|----------|-----------|-------------------------|----------|
| 1 | Double End Spanner | 2 | 11 | Rotor Collar | 1 | 21 | Throttle Valve Spring | 1 |
| 2 | Collet Nut | 1 | 12 | Rotor | 1 | 22 | Throttle Valve Bushing | 1 |
| 3 | collet | 1 | 13 | Rotor Blade | 4 | 23 | Valve Bushing "O" Ring | 1 |
| 4 | Housing Cap | 1 | 14 | Rear End Plate | 1 | 24 | Throttle Valve | 1 |
| 5 | Lock Nut | 1 | 15 | Ball Bearing (626) | 1 | 25 | Throttle Valve "O" Ring | 2 |
| 6 | Spindle | 1 | 16 | Motor Housing | 1 | 26 | Throttle Lever | 1 |
| 7 | Ball Bearing(6000) | 1 | 17 | Valve Screw | 1 | 27 | Throttle Lever Pin | 1 |
| 8 | Front End Plate | 1 | 18 | Valve Screw "O" Ring | 1 | 28 | Exhaust Deflector | 1 |
| 9 | Steel Ball | 3 | 19 | Regulator "O" Ring | 1 | 29 | Inlet Bushing "O" Ring | 1 |
| 10 | Cylinder | 1 | 20 | Air Regulator | 1 | 30 | Air Inlet Bushing | 1 |
| | | | | | | 31 | Grip | 1 |