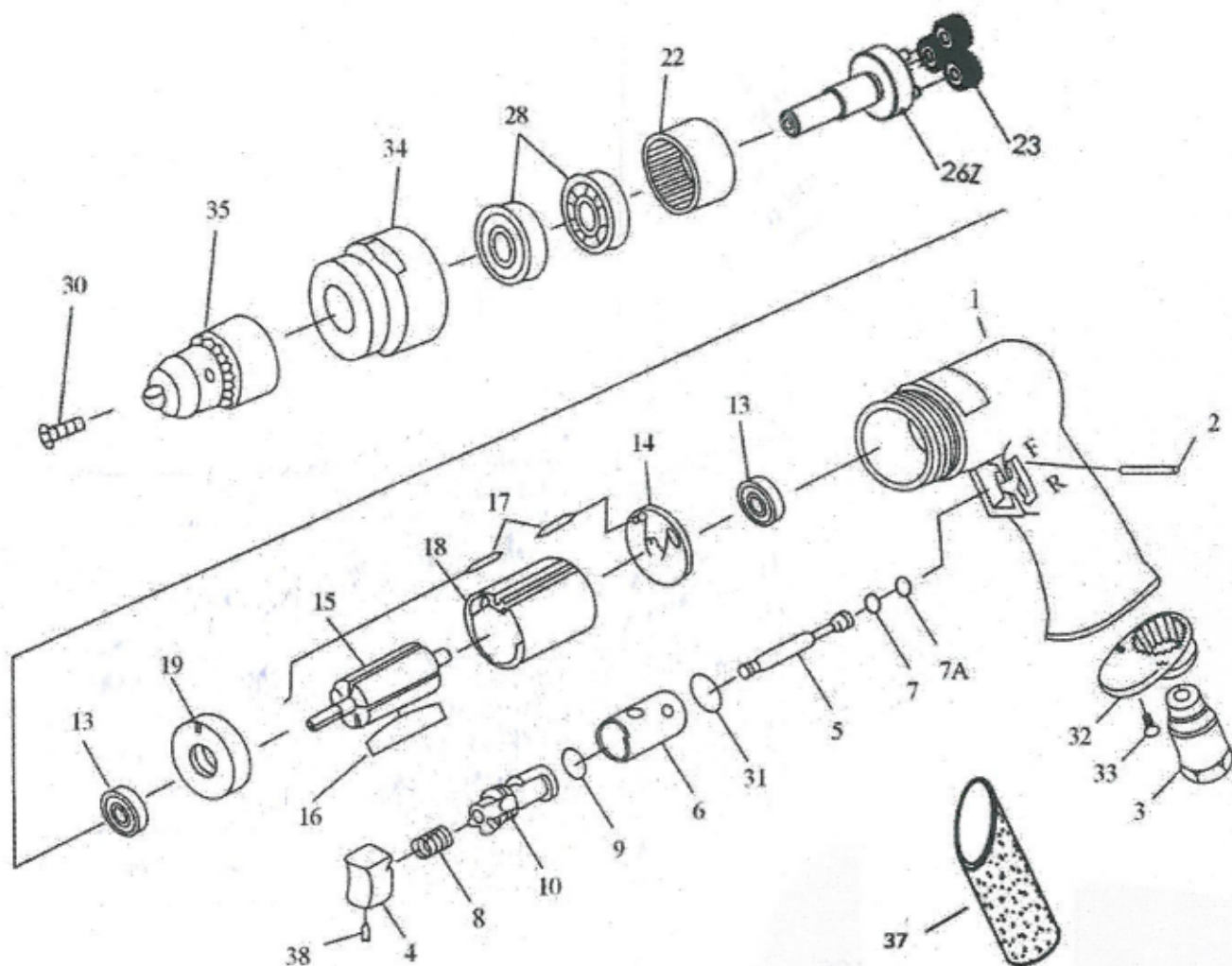


Technical Details	Speed	Spindle	Reversible	Chuck Cap.	Length	Weight	Air Consumption	Air Inlet	Noise (DB)	Uncertainty(DB)	Vibration	Working Pressure
	RPM	Size	or not	mm/inch	mm/inch	kg/lb	LPM / CFM	inch	LpA LwA	KpA KWA	m/s*	Bar / PSI
<b>33202A</b>	2000	3/8-24		10(3/8)	203 (8.0)	1.1(2.4)	--	1/4	94.9 105.9	3	<2.5	6.3(90)



Index No.	Description	Quantity	Index No.	Description	Quantity	Index No.	Description	Quantity
1	Motor Housing	1	13	Ball Bearing	2	30	Chuck Screw	1
2	Pin	1	14	End Plate	1	31	O-ring (P14)	1
3	Air inlet	1	15	Rotor	1	32	Exhaust Deffuser	1
4	Trigger	1	16	Rotor Blade	5	33	Screw	2
5	Valve Stem	1	17	Pin (2.5x10)	2	34	Clamp Nut	1
6	Reverse Bushing	1	18	Cylinder	1	35	Drill Chuck	1
7	O-ring	1	19	Front End Plate	1	36	Set Screw	1
7A	O-ring(3.9x2.25x2)	1	22	Internal Gear	1	37	Grip	1
8	Valve Spring	1	23	Idle Gear	3			
9	O-ring (P9)	1	26	Spindle Set	1			
10	Reverse Lever	1	28	Ball Bearing	2			