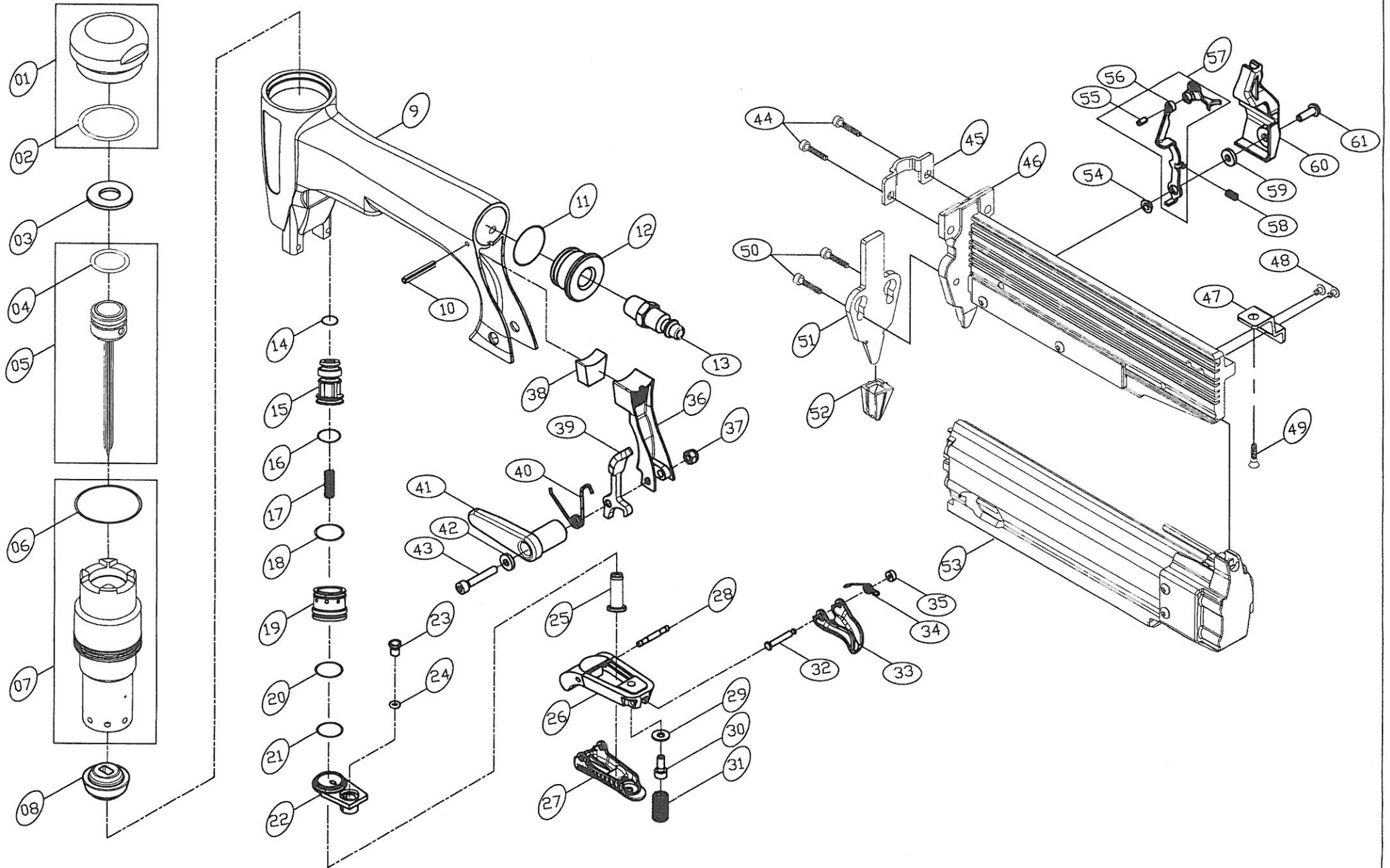


# MODEL : PT-635L



\*B : APPLY LOCTITE 242

L92620A 09/07/2015

**PARTS LIST (PT-635L)**

**\*WHEN ORDERING SPARE PARTS, PLEASE STATE ITEM No, PART NO. AND DESCRIPTION.**

ITEM	PART NO	DESCRIPTION	QTY	ITEM	PART NO	DESCRIPTION	QTY	ITEM	PART NO	DESCRIPTION	QTY
01	92600701A	HAMMER CAP HAMMER ASSEMBL	1	35	16103001	PU RING**	1				
02	92600801	O-RING	1	36	31603502	EXHAUST COVER	1				
03	31600301	PISTON STOPPER	1	37	LN0400N	LOCK NUT	1				
04	OR13824N	O RING**	1	38	31606101	MUFFLER	1				
05	92605301A	DRIVER ASSEMBLY	1	39	33403801	LATCH	1				
06	92601101	O-RING	1	40	31603701	TOR SPRING	1				
07	92601201A	CYLINDER ASSEMBLY	1	41	32806601	BELT HOOK	1				
08	92600102	BUMPER	1	42	FW040080B-05	FLAT WASHER	1				
09	31601203	BODY	1	43	HS04070B-30	HEX. SOC. HD. BOLT	1				
10	RP3025S	ROLLED PIN	1	44	92603901	HEX SOC BOLT	2				
11	OR20326N	O RING	1	45	92604001	NOSE PLATE	1				
12	31603301	END CAP	1	46	92602802A	MAGAZINE ASSEMBLY	1				
13	12106401	AIR PLUG	1	47	92600301	TAIL HANGER	1				
14	OR07626N	O RING	2	48	92602601	HEX SOC BOLT FLAT HEAD	2				
15	31601701	VALVE PLUNGER	1	49	92603401	HEX. SOC FLAT HD. SCREW	1				
16	OR12418N	O RING	1	50	92601501	HEX SOC BOLT	2				
17	31602201	SPRING	1	51	92601601	NOSE COVER	1				
18	OR15618N	O RING**	1	52	92601701	NO MAR TIP	1				
19	31602001	VALVE CYLINDER	1	53	92600401A	MAGAZINE COVER ASSEMBLY	1				
20	OR17313N	O RING	1	54	92604801	SAFETY CAP	1				
21	OR17218N	O RING	1	55	92604201	PIN	1				
22	31602301	PLUNGER COVER	1	56	92604601	SAFETY	1				
23	31602601	TRIGGER VALVE STEM	1	57	92604701A	SAFETY A ASSEMBLY	1				
24	OR02518N	O RING	1	58	92605101	SPRING	1				
25	31602401	CONNECTING TUBE	1	59	92604501	FLAT WASHER	1				
26	31602503	TRIGGER BASE	1	60	92605201	SAFETY COVER	1				
27	31602803	TRIGGER	1	61	92604301	HEX SOC BOLT	1				
28	31602901	PIN	1								
29	FW040100B-08	FLAT WASHER	1								
30	HS04070B-10	HEX. SOC. HD. BOLT	1								
31	12103901	SPRING	1								
32	12105802	SHAFT	1								
33	31606001	TRIGGER CONTROLLER	1								
34	11009101	TOR. SPRING	1								