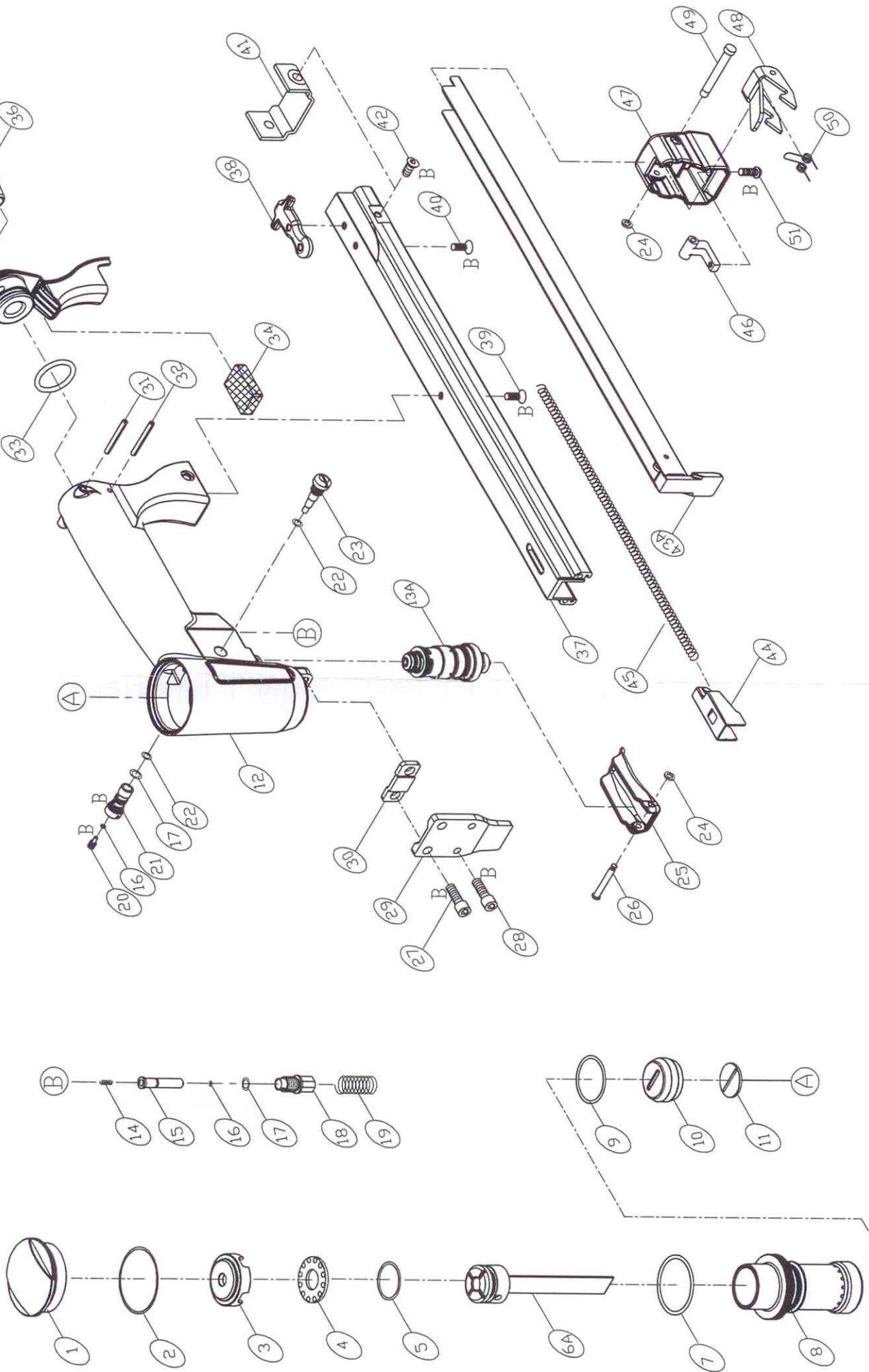


MODEL : LU-8016AUTO/LM



*B : APPLY LOCTITE 242

L22230A 07/28/2010

PARTS LIST (LU-8016AUTO/LM)

***WHEN ORDERING SPARE PARTS, PLEASE STATE ITEM NO, PART NO, PART NO. AND DESCRIPTION.**

ITEM	PART NO	DESCRIPTION	QTY	ITEM	PART NO	DESCRIPTION	QTY	ITEM	PART NO	DESCRIPTION	QTY
01	19000101	CAP	1	35	22203202	END CAP	1				
02	OR33026N	O RING	1	36	12106401	AIR PLUG	1				
03	20707301	STOPPER BASE	1	37	22203803	MAGAZINE	1				
04	31600301	PISTON STOPPER	1	38	39101001	SET BLOCK	1				
05	OR17126M	O RING	2	39	FH04070B-12	FLAT. HD. BOLT	1				
06A	22200802A	PISTON ASSEMBLY	2	40	FH04070B-08	FLAT. HD. BOLT	2				
07	OR33720N	O RING**	1	41	10205301	SET PLATE	1				
08	22200501	CYLINDER	1	42	FH04070B-07	FLAT. HD. BOLT	2				
09	OR25020N	O RING	1	43A	32505001A	STAPLE GUIDE UNIT	1				
10	22201901	BUMPER	1	44	19104501	PUSHER	1				
11	22207701	WASHER	1	45	32504601	SPRING	1				
12	22202904	BODY	1	46	19004801	SET PLATE	1				
13A	20701002A	SWITCH ASSEMBLY	1	47	39100901	END CORE	1				
14	16309101	SPRING	1	48	11606101	STOPPER	1				
15	20706401	PLUNGER	1	49	11103201	STEPPED PIN	1				
16	OR02510N	O RING**	2	50	11306001	TOR. SPRING	1				
17	OR06010M	O RING**	2	51	US04070B-10	UM. HD. BOLT	2				
18	20706501	PLUNGER CAP	1								
19	20706601	SPRING	1								
20	22206701	PILOT VALVE	1								
21	20706701	SLEEVE	1								
22	OR05010N	O RING**	2								
23	20706901	PILOT	1								
24	OR01919N	O RING**	2								
25	22202602		1								
26	18602701	SHAFT	1								
27	HS05080B-18	HEX. SOC. HD. BOLT	2								
28	HS04070B-16	HEX. SOC. HD. BOLT	2								
29	22203601	NOSE	1								
30	10703801	SET PLATE	1								
31	RP3028S	ROLLED PIN	1								
32	RP3025S	ROLLED PIN	1								
33	OR20326N	O RING	1								
34	22203301	MUFFLER	1								

NO : L22230A

DATE:07/28/2010