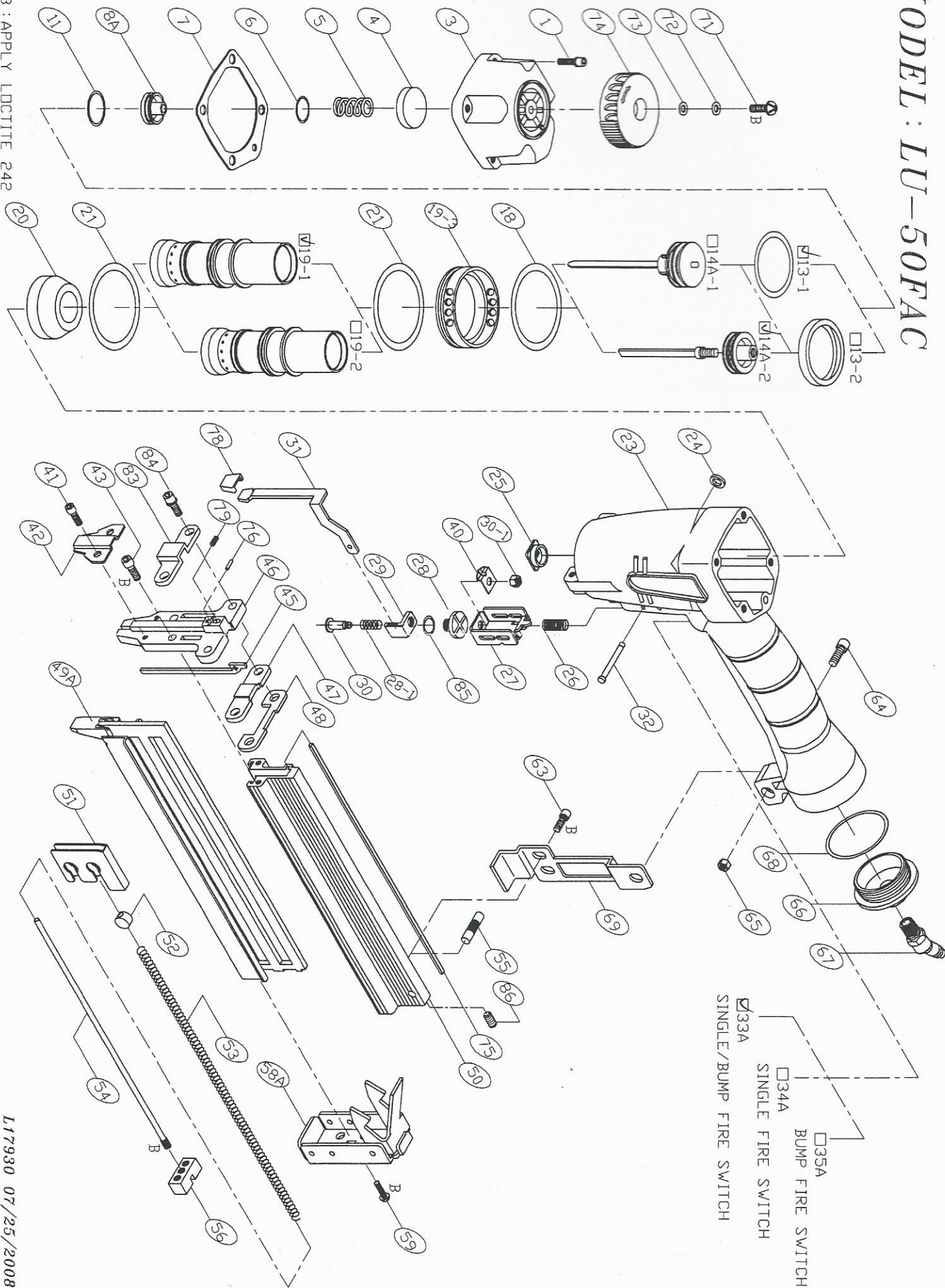


MODEL: LU-50FAC



33A
 SINGLE/BUMP FIRE SWITCH
 34A
 SINGLE FIRE SWITCH
 35A
 BUMP FIRE SWITCH

*B: APPLY LOCTITE 242

L17930 07/25/2008

(LU-50FAC)

*WHEN ORDERING SPARE PARTS, PLEASE STATE ITEM NO, PART NO. AND DESCRIPTION.

PART NO	DESCRIPTION	QTY	ITEM	PART NO	DESCRIPTION	QTY	ITEM	PART NO	DESCRIPTION	QTY
HS05080BW-20	HEX. SOC. HD. BOLT+SW	4	45	17904501	MAIL GUIDE PLATE	1				
03	CAP	1	46	17904601	NOSE	1				
04	12100401 SEAL**	1	47	11304701	SET PLATE	1				
05	12100501 SPRING**	1	48	10904801	SET PLATE	1				
06	OR13824N O RING**	1	49A	17904901A	STAPLE GUIDE UNIT	1				
07	11100701 CAP SEAL**	1	50	17905001	MAGAZINE	1				
08A	13900801A HEAD VALVE ASM.	1	51	12505101	PUSHER	1				
11	OR31824N O RING**	1	52	11205201	SLIDE BLOCK	2				
13-1	OR23735N O RING**	1	53	11305301	SPRING**	2				
13-2	13901304 PISTON RING	1	54	11305401	ROD	2				
14A-1	17901403A DRIVER ASSEMBLY**	1	55	11305501	SHAFT	1				
14A-2	17901404A DRIVER ASSEMBLY**	2	56	11305601	SET BLOCK	2				
18	OR44431N O RING**	1	58A	17905801A	END CORE ASM.	1				
19-1	13901902 CYLINDER	1	59	US05080B-10	UM. HD. BOLT	4				
19-2	13901902G CYLINDER	1	63	HS04070B-10	HEX. SOC. HD. BOLT	2				
19-3	13901903 COLLAR	1	64	HS05080B-16	HEX. SOC. HD. BOLT	1				
20	13902001 BUMPER**	1	65	LN0500N	LOCK NUT	1				
21	OR35020N O RING**	1	66	11106601	COVER	1				
23	11102309 BODY	1	67	12106411	EURO SWIVEL PLUG MALE 1/4	1				
24	OR01919N O RING**	2	68	OR40030N	O RING**	1				
25	12102501 JOINT GUIDE	1	69	17906902	BRACKET	1				
26	11002601 SPRING	1	71	US05080B-06	UM. HD. BOLT	1				
27	11002702 GUIDE SAFETY LEVER	1	72	FM050120B-08	FLAT WASHER	1				
28	18103202 SAFETY ADJUSTING NUT	1	73	12103301	SEAL	1				
28-1	18103101 SPRING	1	74	13907403	EXHAUST COVER	1				
29	13403001 GUIDE PLATE	1	75	17907501	LINER	1				
30	18104601 SET SHAFT	1	76	RP2510S	ROLLED PIN	1				
30-1	LN0400N LOCK NUT	1	78	13403101	RUBBER PAD	1				
31	17903103 SAFETY LEVER	1	79	17907901	SPRING	1				
32	11103201 STEPPED PIN	2	83	17908301	SET PLATE	1				
40	21903501 POSITIONING PLATE	1	84	HS05080BW-25	HEX. SOC. HD. BOLT+SW	2				
41	HS04070B-05 HEX. SOC. HD. BOLT	2	85	OR06010N	O RING**	1				
42	17904201 NOSE COVER	1	86	SS04070B-08	SET SCREW	1				
43	HS04070B-16 HEX. SOC. HD. BOLT	2								

NO : L17930

DATE: 07/25/2008