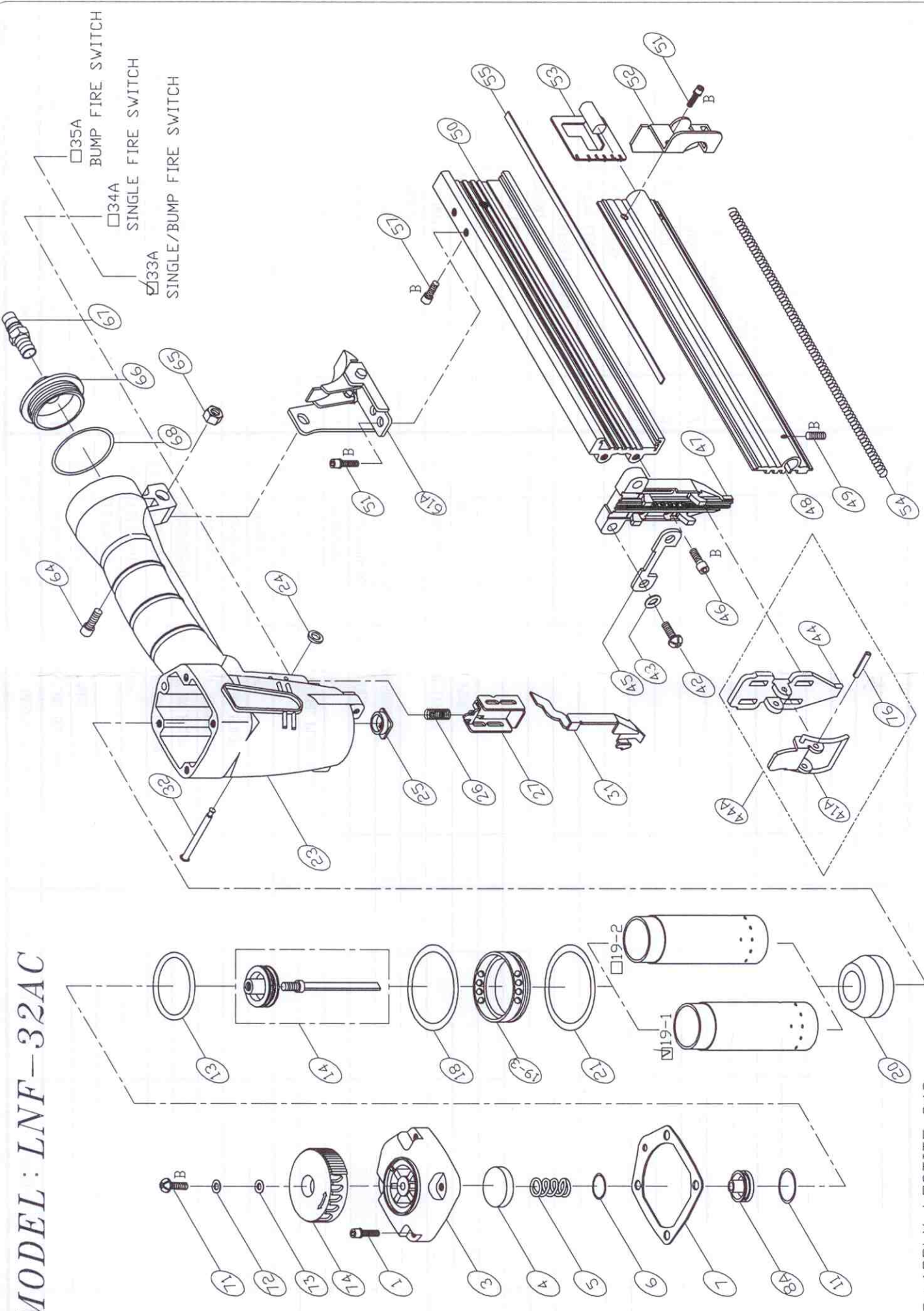


MODEL : LNF-32AC



*B : APPLY LOCTITE 242

PARTS LIST (LNF-32AC)

***WHEN ORDERING SPARE PARTS, PLEASE STATE ITEM No., PART NO. AND DESCRIPTION.**

ITEM	PART NO	DESCRIPTION	QTY	ITEM	PART NO	DESCRIPTION	QTY	ITEM	PART NO	DESCRIPTION	QTY
01	HS05080BW-16	HEX. SOC. HD. BOLT+SW	4	51	HS04070BW-08	HEX. SOC. HD. BOLT+SW	4				
03	11100302	CAP	1	52	11005201	TAIL COVER	1				
04	12100401	SEAL**	1	53	12105301	PUSHER	1				
05	12100501	SPRING**	1	54	12105401	SPRING**	1				
06	OR13824N	O RING**	1	55	12105501	NAIL GUIDE LINER	1				
07	11100701	CAP SEAL**	1	57	HS05080B-07	HEX. SOC. HD. BOLT	1				
08A	12100801A	HEAD VALVE ASM.	1	61A	12106101A	BRACKET ASSEMBLY	1				
11	OR31824N	O RING**	1	64	HS05080B-16	HEX. SOC. HD. BOLT	1				
13	OR22431N	O RING**	2	65	LN0500N	LOCK NUT	1				
14	11001402A	DRIVER ASSEMBLY**	2	66	11106601	COVER	1				
18	OR44431N	O RING**	1	67	12106411	EURO SWIVEL PLUG MALE 1/4	1				
19-1	11101902	CYLINDER	1	68	OR40030N	O RING**	1				
19-2	11101902G	CYLINDER	1	71	US05080B-06	UM. HD. BOLT	1				
19-3	11101903	COLLAR	1	72	FW050120B-08	FLAT WASHER	1				
20	11002001	BUMPER**	1	73	12103301	SEAL	1				
21	OR28318N	O RING**	1	74	13907403	EXHAUST COVER	1				
23	11102309	BODY	1	76	RP3020S	ROLLED PIN	1				
24	OR01919N	O RING**	2								
25	10902501	JOINT GUIDE	1								
26	11002601	SPRING	1								
27	11002702	GUIDE SAFETY LEVER	1								
31	11003101	SAFETY LEVER	1								
32	11103201	STEPPED PIN	2								
41A	13104101A	LATCH**	1								
42	US05080B-25	UM. HD. BOLT	2								
43	SW0500W	SPRING WASHER	2								
44	11504401	DRIVER GUIDE COVER	1								
44A	11504401A	DRIVER GUIDE COVER ASM	1								
45	12104501	SET PLATE	1								
46	HS04070B-12	HEX. SOC. HD. BOLT	2								
47	11004703	DRIVER GUIDE	1								
48	11004803	MAGAZINE COVER	1								
49	SS04070B-12	SET SCREW	1								
50	11505001	MAGAZINE	1								

NO : L11120A

DATE: 11/29/2010