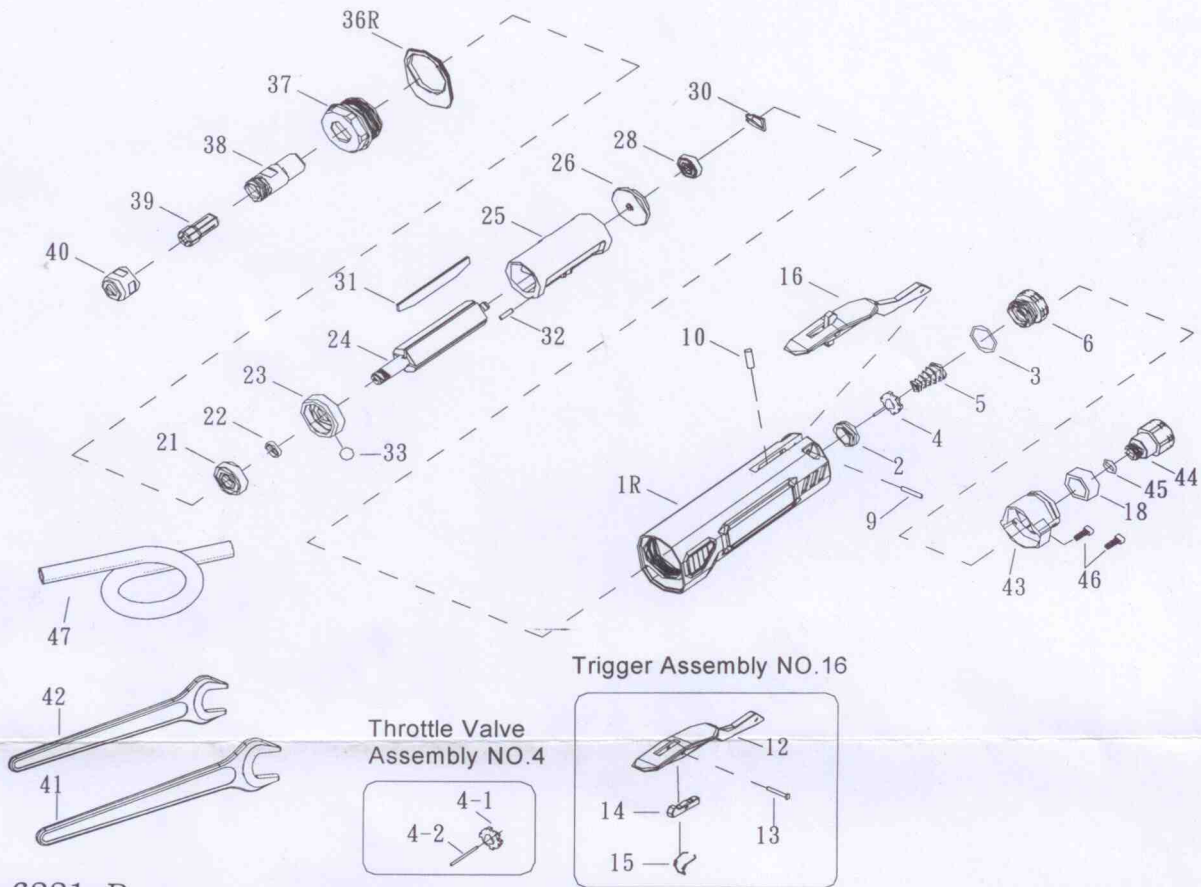


SUPER DUTY AIR DIE GRINDER



KP-6221-R

INDEX NO.	DESCRIPTION	REQ'D NO.	INDEX NO.	DESCRIPTION	REQ'D NO.
1R	Casing	1	25	Cylinder	1
2	Valve Bushing	1	26	Rear Plate	1
3	O-Ring	1	28	Ball Bearing	1
★ 4	Throttle Valve Assembly (incl.4-1.4-2)	1	30	Retainer	1
4-1	Throttle Valve Pin	1	31	Rotor Blade	4
4-2	Throttle Valve	1	32	Spring Pin	1
5	Spring	1	36R	Exhaust Deflector	1
6	Air Inlet	1	37	Cap Sealing Ring	1
9	Pin	1	38	Spindle	1
10	Throttle Valve Plunger	1	39	Collet (for KI-6221-R-MM) (Option)	1
12	Trigger	1	39	Collet (for KI-6221-R-IN) (Option)	
13	Lever pin	1	40	Collet Nut	1
14	Trigger Pin	1	41	Wrench 14mm	1
15	Trigger Spring	1	42	Wrench 19mm	1
★ 16	Trigger Assembly (incl.12.13.14.15)	1	43	Exhaust Deflector	1
18	Muffler Element	1	44	Air Inlet Connector	1
21	Ball Bearing	1	45	O-Ring	1
22	Anvil Rear Spacer	1	46	Screw	2
★ 23	Front End Plate Assembly (incl.33)	1	47	Hose	1
24	Rotor	1	TK	Tune-Up Kit { 3.5.21.28.31(4).45 }	

★ Must be Purchased in Assembly Set

PA3-06221R-3

20090825R1