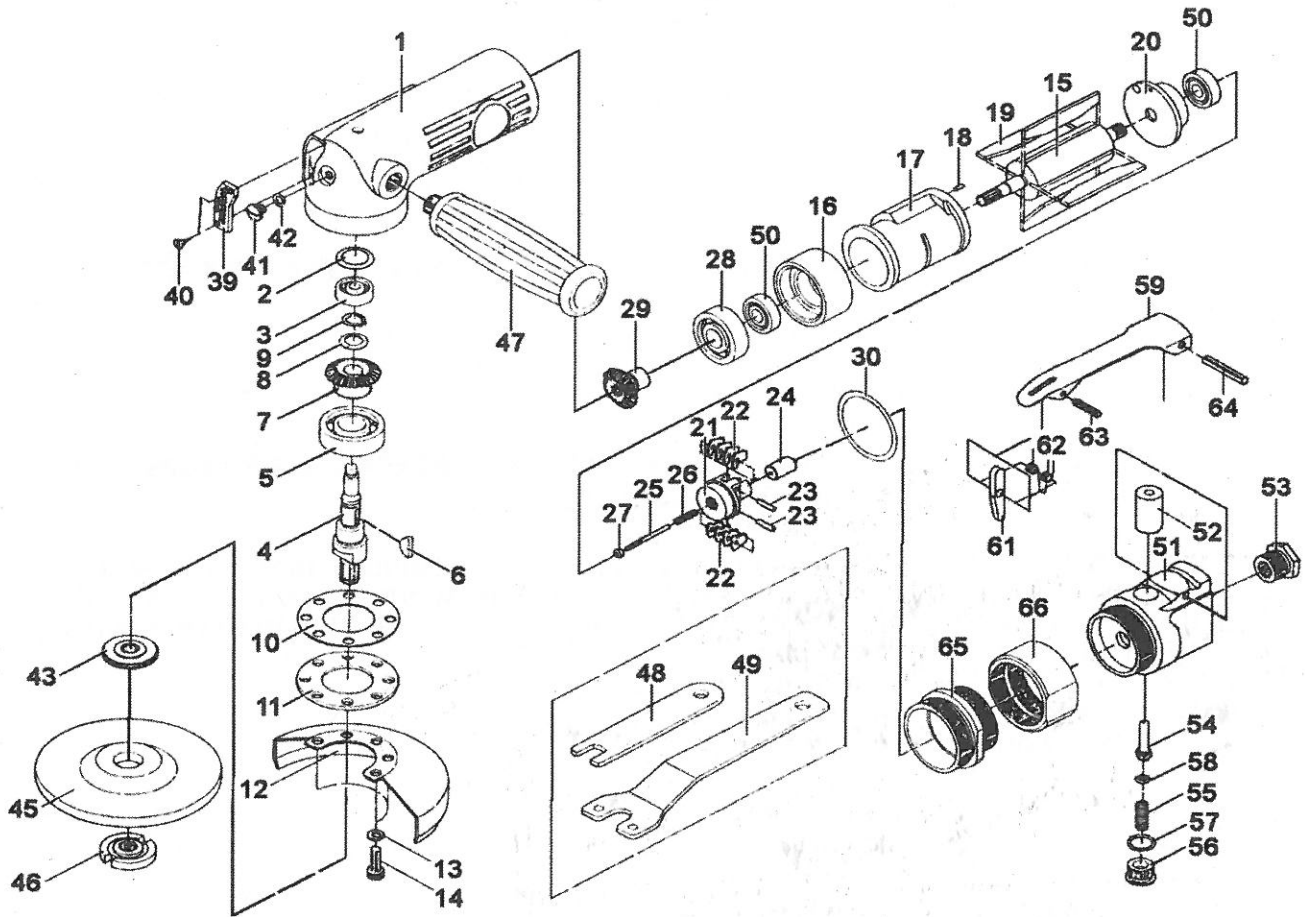


HEAVY DUTY AIR ANGLE GRINDER



6801 / 6802

| INDEX NO. | DESCRIPTION | REQ'D NO. | INDEX NO. | DESCRIPTION | REQ'D NO. |
|-----------|--------------------------|-----------|-----------|-------------------------|-----------|
| 01 | Motor Housing | 1 | 29 | Bevel Pinion | 1 |
| 02 | Seal Plate | 1 | 30 | O-Ring | 1 |
| 03 | Ball Bearing | 1 | 39 | Exhaust Deflector | 1 |
| 04 | Arbor | 1 | 40 | Tapping Screw | 2 |
| 05 | Ball Bearing | 1 | 41 | Plug | 1 |
| 06 | Woodruff Key | 1 | 42 | O-Ring | 1 |
| 07 | Bevel Gear | 1 | 43 | Flange | 1 |
| 08 | Wave Washer | 1 | 45 | Grinding Wheel (Option) | 1 |
| 09 | External Stop Ring | 1 | 46 | Flange Nut | 1 |
| 10 | Gasket | 1 | 47 | Handle | 1 |
| 11 | Retainer | 1 | 48 | Wrench (A) | 1 |
| 12 | Center Wheel Guard | 1 | 49 | Wrench (B) | 1 |
| 13 | Spring Washer | 5 | 50 | Ball Bearing | 2 |
| 14 | Hex Socket Head Cap Bolt | 5 | 51 | Throttle Valve Housing | 1 |
| 15 | Rotor | 1 | 52 | Bushing | 1 |
| 16 | Front End Plate | 1 | 53 | Air Inlet Bushing | 1 |
| 17 | Cylinder | 1 | 54 | Valve Stem | 1 |
| 18 | Spring Pin | 1 | 55 | Valve Spring | 1 |
| 19 | Rotor Blade | 4 | 56 | Throttle Housing | 1 |
| 20 | Rear End Plate | 1 | 57 | O-Ring | 1 |
| 21 | Governor | 1 | 58 | O-Ring | 1 |
| 22 | Pendulum | 8 | 59 | Throttle Lever | 1 |
| 23 | Spring Pin | 2 | 61 | Throttle Lever Lock | 1 |
| 24 | Plunger | 1 | 62 | Torsion Spring | 1 |
| 25 | Adjust Screw | 1 | 63 | Spring Pin | 1 |
| 26 | Spring | 1 | 64 | Spring Pin | 1 |
| 27 | Adjust Nut | 1 | 65 | Lock Ring | 1 |
| 28 | Ball Bearing | 1 | 66 | Coupling | 1 |

2001.10.14

2003.04.02 2009.03.11