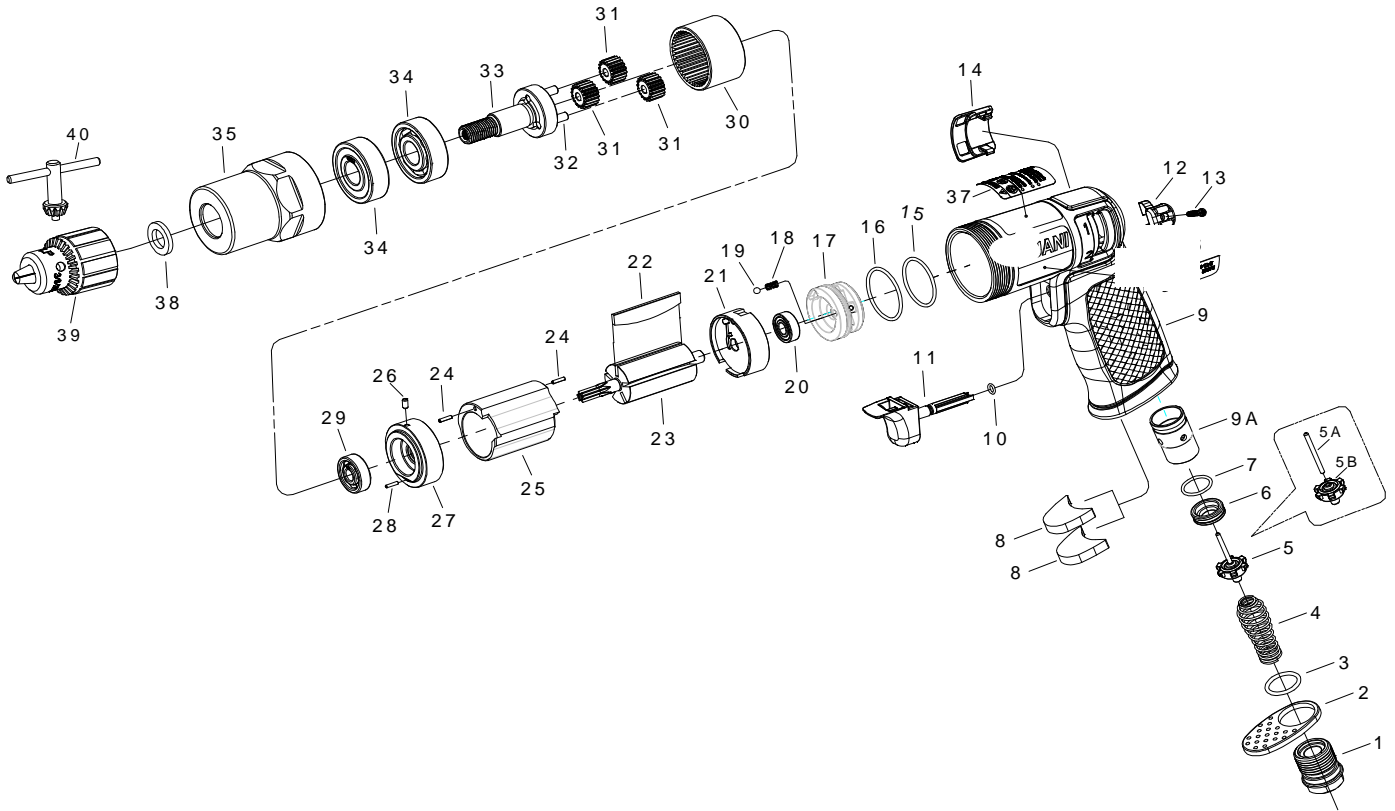


3/8" HEAVY DUTY MINI AIR DRILL



KI-5302

INDEX NO.	DESCRIPTION	REQ'D Q'TY	INDEX NO.	DESCRIPTION	REQ'D Q'TY
1	Air Inlet	1	20	Ball Bearing	1
2	Deflector	1	21	Rear End Plate	1
3	O-Ring	1	22	Rotor Blade	5
4	Valve Spring	1	23	Rotor	1
★ 5	Valve Assembly(incl.5A.5B)	1	24	Spring Pin	2
● 5A	Valve Pin	1	25	Cylinder	1
● 5B	Valve	1	26	Spring Pin	1
● 6	Valve Seat	1	27	Front End Plate	1
● 7	O-Ring	1	28	Pin	1
8	Muffler Insert	2	29	Ball Bearing	1
★ 9	Motor Houshing(incl.6.7.9A)	1	30	Ring Gear	1
● 09A	Air Inlet Bushing	1	31	Planet Gear	3
10	O-Ring	1	● 32	Pin	3
11	Trigger	1	★ 33	Working Spindle (incl.32)	1
12	Reverse Lever	1	34	Ball Bearing	2
13	Screw	1	35	Gear Case Housing	1
14	Reverse Plate	1	37	Warning Label	1
15	O-Ring	1	38	Washer	1
16	O-Ring	1	39	3/8" Chuck	1
17	Reverse Valve	1	40	Key	1
18	Spring	1	TK	Tune-Up Kit { 3.4.7.10.15.16.18.19.20.22 (5),29.34 (2) }	
19	Steel Ball	1			

★ Must be Purchased in Assembly Set

● Recommended not to be purchased alone due to assem

PA5-05302-1 20100209R1