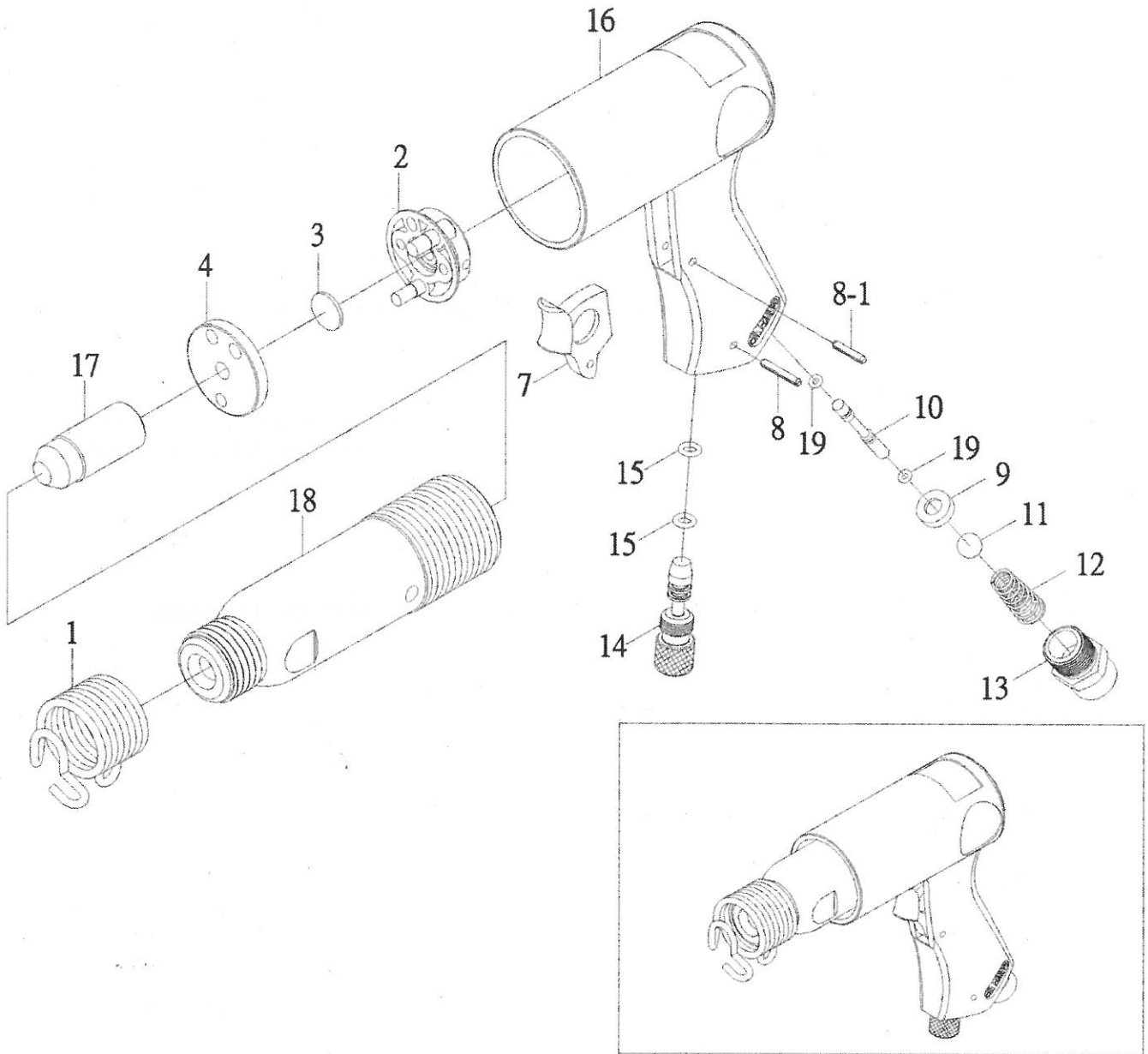


HEAVY DUTY AIR HAMMER



4709

INDEX NO.	DESCRIPTION	REQ'D NO.	INDEX NO.	DESCRIPTION	REQ'D NO.
01	Retainer Spring	1	12	Spring	1
02	Upper Valve Assembly	1	13	Inlet Bushing	1
03	Valve Disc	1	14	Regulator	1
04	Lower Valve Seat	1	15	O-Ring	2
07	Trigger	1	16	Handle	1
08	Spring Pin	1	17	Piston	1
08-1	Spring Pin	1	18	Cylinder-Round	1
09	Ball Seat	1		Cylinder-Hex.(10mm)	
10	Push Rod	1		Cylinder-Hex.(11mm)(Option)	
11	Steel Ball	1	19	O-Ring	2

0000.00.00

2003.04.02 2010.05.18