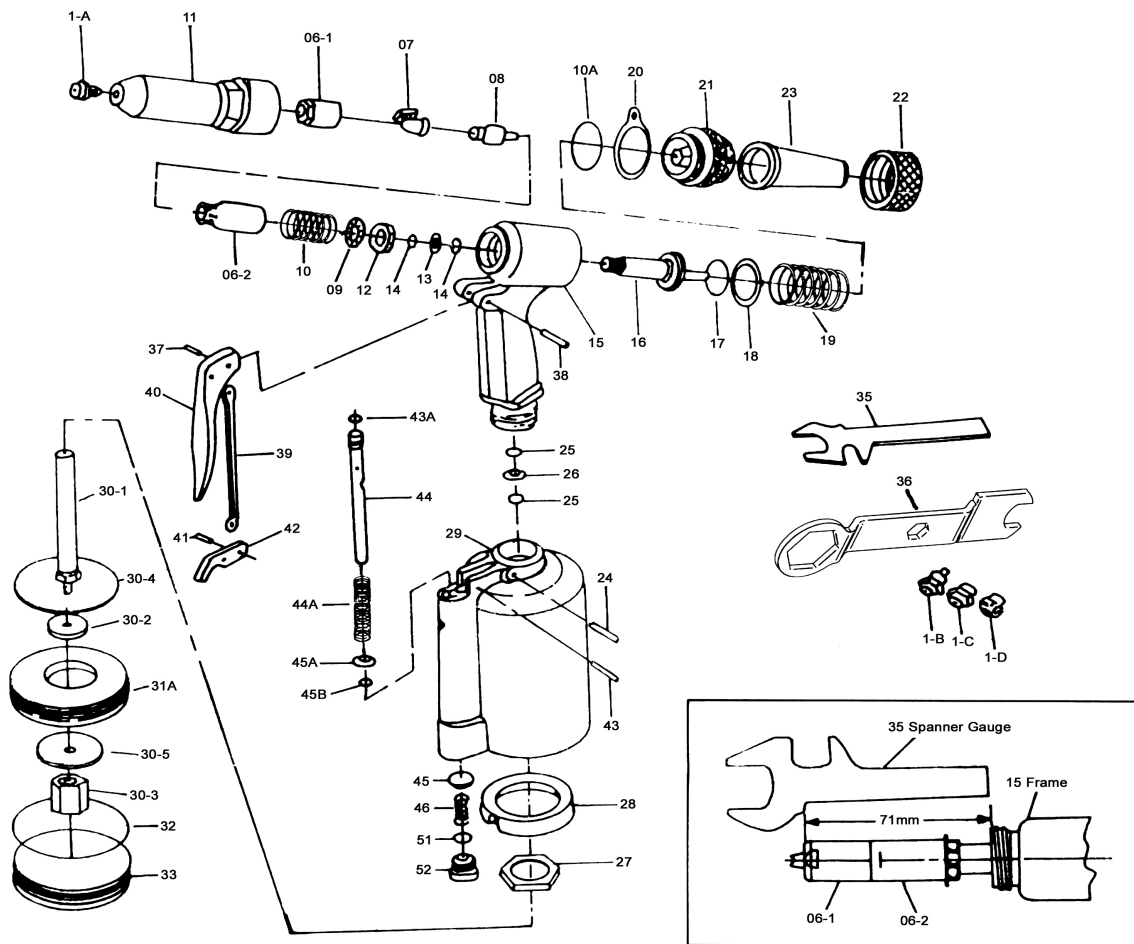


3/16" HEAVY DUTY AIR HYDRAULIC RIVETER



KI-4201

INDEX NO.	DESCRIPTION	REQ'D Q'TY	INDEX NO.	DESCRIPTION	REQ'D Q'TY
1A	Nosepiece (3/16")	1	28	Rubber Cushion	1
1B	Nosepiece (5/32")	1	29	Air Cylinder	1
1C	Nosepiece (1/8")	1	30-1	Air Piston Stem	1
1D	Nosepiece (3/32")	1	30-2	Air Piston AL	1
06-1	Jaw Case Front Tart(3/32",1/8",5/32")	1	30-3	Air Piston Lock Nut	1
06-2	Jaw Case End Tart	1	30-4	Big Iron Plate	1
07	Jaw (2pcs/set)	1set	30-5	Small Iron Plate	1
08	Jaw Pusher	1	31A	Air Piston Ring	1
09	Case Washer Ring	1	32	Cylinder O-Ring 67.94×2.62	1
10	Jaw Pusher Spring	1	33	Cylinder Cap	1
10A	Frame Cap O-Ring 27×2	1	35	Spanner Gague	1
11	Frame Head	1	36	Spanner	1
12	Case Lock Nut	1	37	Trigger Pin	1
13	Back Up Ring	1	38	Connector	1
14	Back Up O-Ring P12	2	39	Trigger Rod	1
15	Frame	1	40	Trigger	1
16	Oil Piston	1	41	Connector	1
17	Oil Piston O-Ring P22A	1	42	Trigger Lever	1
18	Back Up Ring	1	43	Lever Pin	1
19	Return Spring	1	43A	Valve Pusher O-Ring P7	1
20	Hanging Clip	1	44	Valve Pusher	1
21	Frame Cap	1	44A	Valve Spring	1
22	Frame Cap Nut	1	45	Valve	1
23	Safety Cap	1	45A	Valve Collar	1
24	Setting Screw Pin	1	45B	Collar O-Ring P5	1
25	Back Up O-Ring 12	2	46	Valve Spring	1
26	Back Up Ring	1	51	Valve Cap O-Ring P11	1
27	Frame Lock Nut	1	52	Valve Cap	1

0000.00.00

2003.04.21 2004.06.08