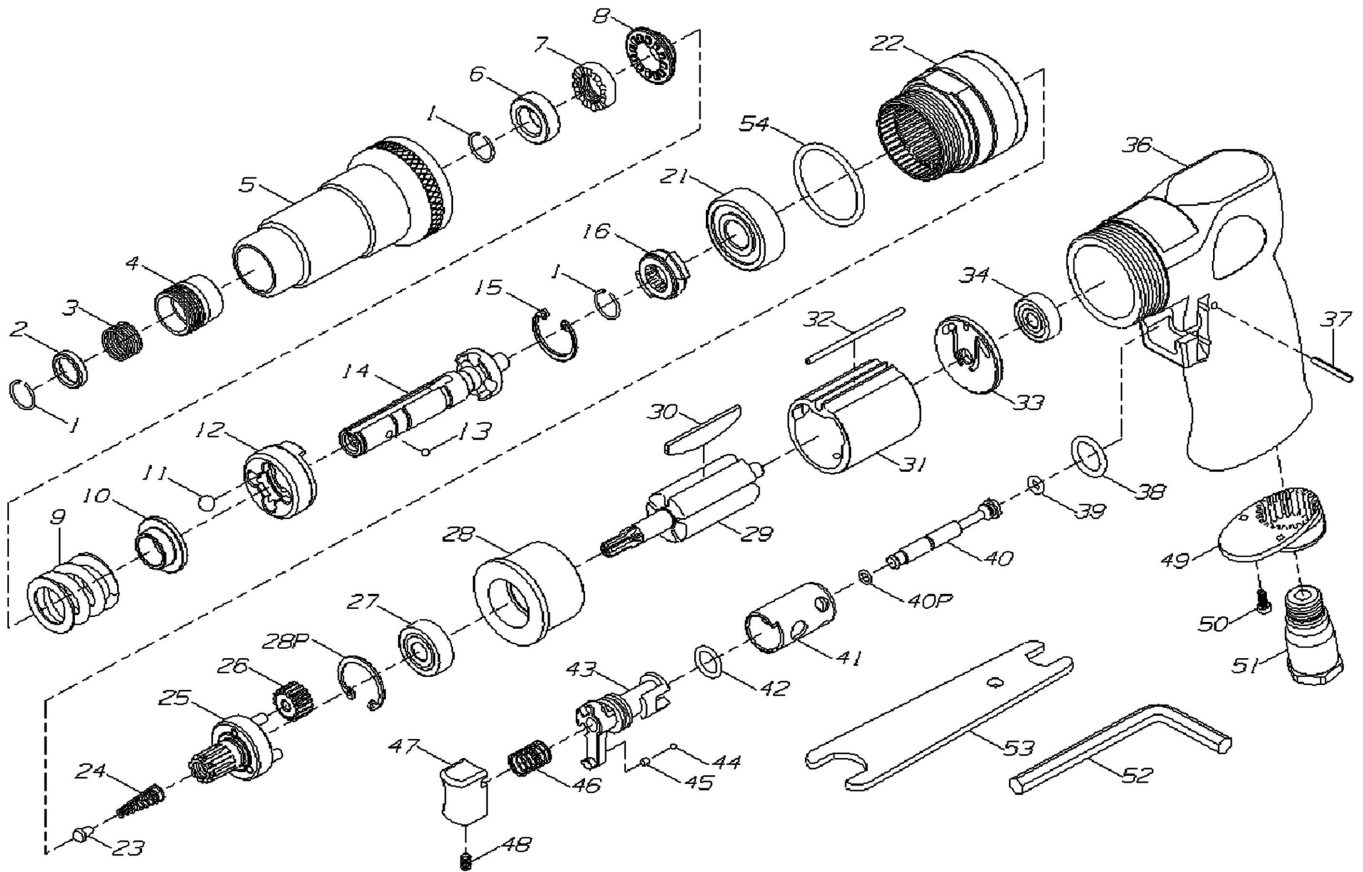


# 1/4" HEX. HEAVY DUTY AIR SCREWDRIVER



KI-3215

INDEX NO.	DESCRIPTION	REQ'D Q'TY	INDEX NO.	DESCRIPTION	REQ'D Q'TY
01	Retaining Ring	3	31	Cylinder (P.M.)	1
02	Washer	1		Cylinder (STEEL) (Option)	
03	Spring	1	32	Motor Pin	1
04	Ball Releaser	1	33	Rear End Plate	1
05	Clutch Housing	1	34	Ball Bearing	1
06	Sleeve Bearing	1	36	Motor Housing	1
07	Adjusting Nut	1	36P	Housing Sleeve (Option)	1
08	Washer	1	37	Pin	1
09	Spring	1	38	O-Ring	1
10	Ball Seat	1	39	O-Ring	1
11	Steel Ball	4	40	Throttle Valve	1
12	Clutch Carrier	1	40P	O-Ring	1
13	Steel Ball	1	41	Reverse Valve Bushing	1
14	Cam Sprindle	1	42	O-Ring	1
15	Retaining Ring	1	43	Reverse Valve	1
16	Drive Dog	1	44	Steel Ball	1
21	Ball Bearing	1	45	Detent Rubber	1
22	Gear Housing	1	46	Spring	1
23	Spring Guide	1	47	Trigger	1
24	Spring	1	48	Screw	1
25	Carrier	1	49	Exhaust Deflector	1
26	Planet Gear	3	50	Screw	2
27	Ball Bearing	1	51	Air Inlet	1
28	Front End Plate	1	52	Hex Wrench	1
28P	Retaining Ring	1	53	Wrench	1
29	Rotor	1	54	O-Ring	1
30	Rotor Blade	5			

2008.02.22 2008.03.26  
2008.02.26 2010.08.10