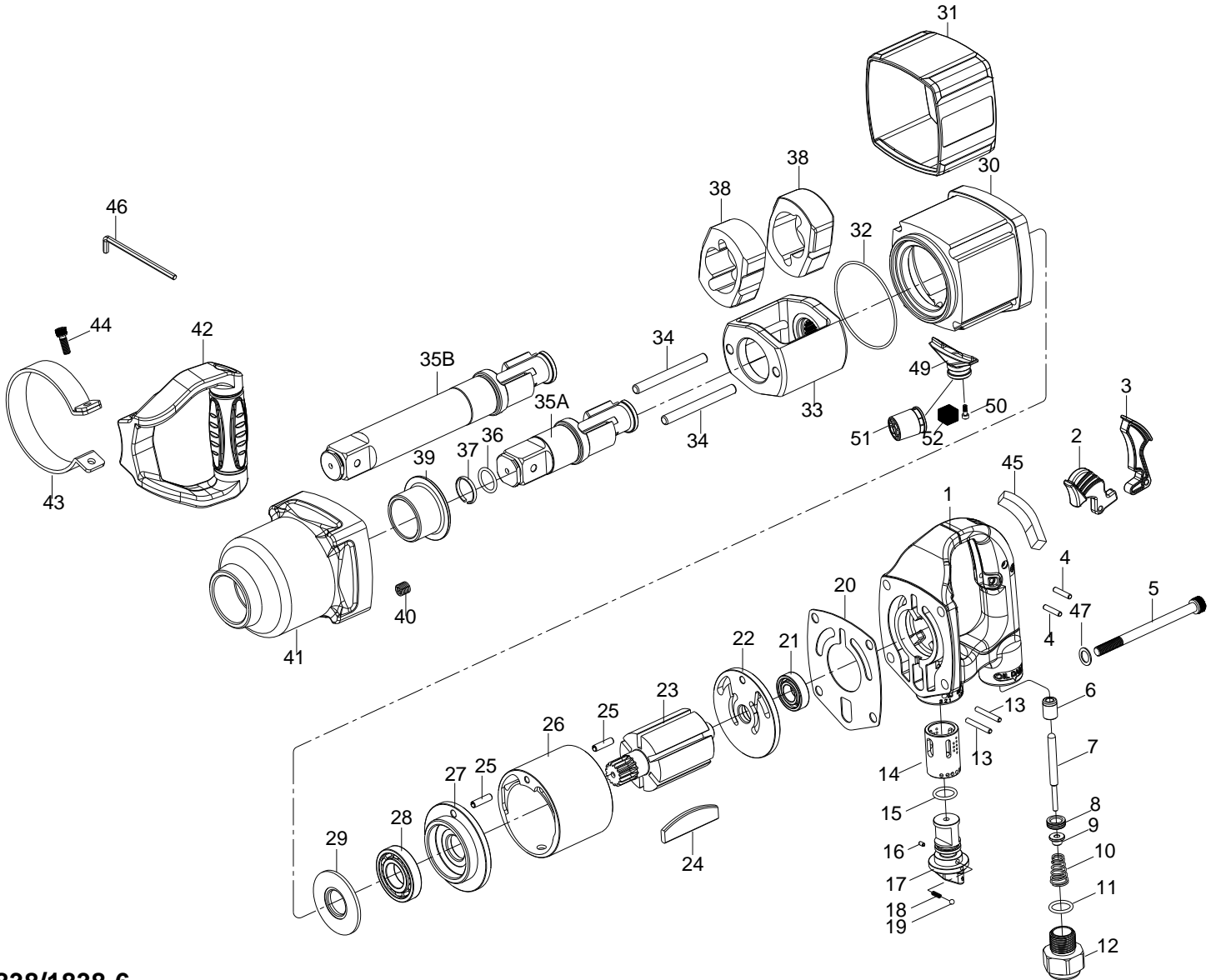


1" SQ. DR. SUPER DUTY IMPACT WRENCH



1838/1838-6

INDEX NO.	DESCRIPTION	REQ'D NO.	INDEX NO.	DESCRIPTION	REQ'D NO.
★ 1	Backhead Assembly (incl. 6.14)	1	28	Bearing	1
2	Inside Trigger (Option)	1	29	Washer	1
3	Outside Trigger (Option)	1	30	Housing	1
4	Pin	2	31	Rubber Grip	1
5	Screw	4	32	O-Ring	1
● 6	Bushing	1	33	Hammer Frame	1
7	Throttle Valve Plunger	1	34	Hammer Pin	2
8	Throttle Valve Seat	1	35A	Standard Anvil (for KI-1838)	1
9	Throttle Valve	1	35B	6" Extended Anvil (for KI-1838-6)	1
10	Spring	1	36	O-Ring	1
11	O-Ring	1	37	Socket Retainer	1
12	Air Inlet	1	38	Hammer	2
13	Pin	2	● 39	Bushing	1
● 14	Reverse Valve Bushing	1	● 40	Heli-Coil	4
15	O-Ring	1	★ 41	Hammer Case Assembly { incl. 39.40 (4) }	1
16	Pin	1	42	Side Spade Handle	1
17	Reverse Valve	1	43	Strap	1
18	Spring	1	44	Screw	2
19	Ball	1	45	Rubber Cap (for Inside Trigger)	1
20	Gasket	1	46	Hex Key Wrench	1
● 21	Bearing	1	47	Washer	4
★ 22	End Plate Assembly (incl. 21)	1	★ 49	Exhaust Deflector Assembly { incl.50 (2).51.52 } (Option)	1
23	Rotor	1	● 50	Screw (Option)	2
24	Rotor Blade	6	● 51	Bushing (Option)	1
25	Pin	2	● 52	Muffler Element (Option)	1
26	Cylinder	1	TK	Tune-Up Kit { incl.10.11.15.18.19.20.24 (6).32.36.37 }	
27	End Plate	1			

★ Must be Purchased in Assembly Set

● Recommended not to be purchased alone due to assembly difficulty

<已發圖客戶>

齊茂-洪小姐(105/12/22)

20161220R7

PA3-01838-8