



USER MANUAL

NEEDLE SCALERS

MODELS : FNS-2P, -2P-1F



FNS-2P



FNS-2P-1F

SPECIFICATIONS

Model	Blows	Piston Diameter		Needle Stroke		No. and Dia of Needle		Needle Length		Overall Length		Mass		Air Consumption At Load		Air Inlet Thread Size	Air Hose Size	
	Hz	mm	in	mm	in	3mm	2mm	mm	in	mm	in	kg	lb	m ³ /min	ft ³ /min	in	mm	in
FNS-2P	133	25	1	20	13/16	19	37	180	7 3/32	371	14 39/64	2.5	5.5	0.18	6.5	PT or NPT 1/4	9.5	3/8
FNS-2P-1F	133	25	1	20	13/16	19	37	180	7 3/32	371	14 39/64	2.5	5.5	0.18	6.5	PT or NPT 1/4	9.5	3/8

Please specify the needle diameter when ordering above models.
(3mm is the standard needle diameter.)

The performance figures are at 0.63MPa (6.3bar).

Refer to "The Instructions and Warning for Safety Use" enclosed in each tool box.

FUJI AIR TOOLS CO., LTD.

2-1-14 Kamiji, Higashinariku, Osaka 537-0003, Japan

Tel : (06) 6972-2335

Fax : (06) 6972-2250

BOLT & NUT SETTERS
SCREW DRIVERS

ABRASIVE TOOLS

DRILLS · TAPPERS

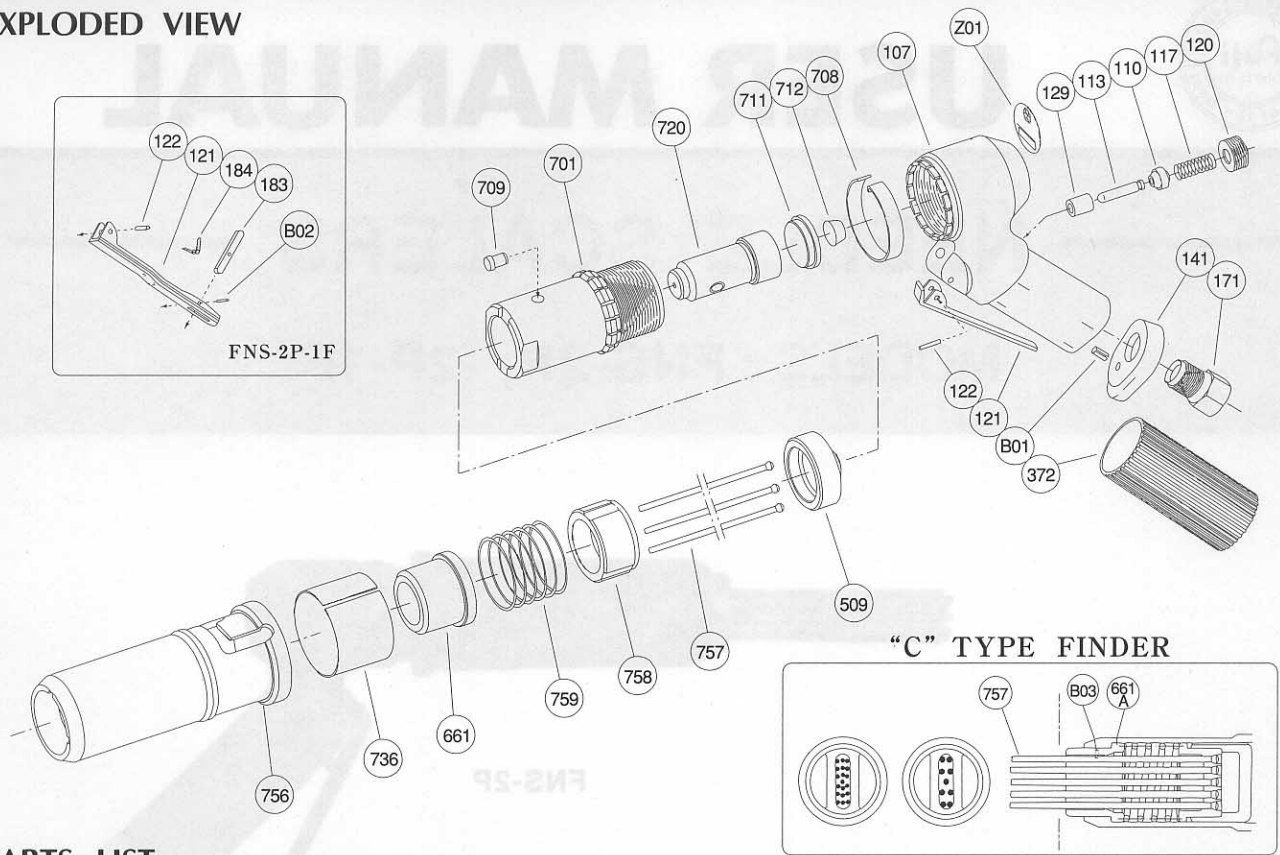
PERCUSSION TOOLS

AIR MOTORS & OTHERS

OTHER PRODUCTS

PARTS LIST MODEL: FNS-2P, -2P-1F

EXPLODED VIEW



“C” TYPE FINDER

PARTS LIST

Index No.	Parts No.	Parts Name	Qt.
FNS-2P			
Ass'y No.	H-064002-00	Handle Ass'y	
107	H-064002-50	Handle	1
(129)	H-014129-00	Throttle Valve Rod Bushing	1
117	H-001117-00	Throttle Valve Spring	1
120	H-064120-00	Throttle Valve Cover	1
121	H-063121-00	Throttle Valve Lever	1
122	H-001122-00	Throttle Valve Lever Pin	1
141	H-064141-00	Handle Washer	1
171	W-025171-00	Inlet Joint (PT)	1
171	W-025171-01	Inlet Joint (NPT)	1
372	H-064372-00	Plastic Cover	1
B01	SP-48	Spring Pin	1
Ass'y No.	G-083008-00	Throttle Valve Rod Ass'y	
110	H-001110-02	Throttle Valve	1
113	G-083113-00	Throttle Valve Rod	1
FNS-2P-1F			
Ass'y No.	H-064002-02	Handle Ass'y	
107	H-064002-50	Handle	1
(129)	H-014129-00	Throttle Valve Rod Bushing	1
117	H-001117-00	Throttle Valve Spring	1
120	H-064120-00	Throttle Valve Cover	1
122	H-001122-00	Throttle Valve Lever Pin	1
141	H-064141-00	Handle Washer	1
171	W-025171-00	Inlet Joint (PT)	1
171	W-025171-01	Inlet Joint (NPT)	1
372	H-064372-00	Plastic Cover	1
B01	SP-48	Spring Pin	1
Ass'y No.	G-105008-00	Throttle Valve Rod Ass'y	
110	H-001110-02	Throttle Valve	1
113	G-105113-00	Throttle Valve Rod	1

Index No.	Parts No.	Parts Name	Qt.
Ass'y No.	G-144019-01	Lock Lever Ass'y	
121	G-144121-02	Lock Lever	1
183	G-144183-02	Lock Key	1
184	G-144184-00	Lock Spring	1
B02	SP-218	Spring Pin	1
FNS-2P FNS-2P-1F			
Ass'y No.	H-063007-00	Cylinder Ass'y	
701	H-063701-00	Cylinder	1
709	H-063709-00	Locking Clutch Key	1
509	H-063509-00	Anvil	1
661	H-063661-00	Finder	1
708	H-014708-00	Locking Clutch	1
711	H-014711-00	Cylinder Cover	1
712	H-001712-00	Damper	1
720	H-063720-00	Piston	1
736	H-063736-00	Band	1
756	H-063756-00	Front Tube	1
757	H-063757-00	Needle <φ3>	19
757	H-063757-01	Needle <φ2>	37
758	H-063758-01	Needle Holder <φ3>	1
758	H-063758-02	Needle Holder <φ2>	1
759	H-057759-01	Return Spring	1
Z01	NP-0205	Name Plate	1
OPTION			
PART FOR “C” TYPE FINDER			
661A	H-063661-01	Finder	1
(B03)	SP-36	Spring Pin	1

- Ass'y No. denotes the assembled parts comprising of more than 1 pc. of parts. The related parts are shown in the thick frame.
- #107 and 661A are supplied together with parts shown in ().
- Specify parts number and quantity in ordering.
- Number of Needles necessary for C Type Finder is 9 for φ3 Needle and 19 for φ2 Needle.