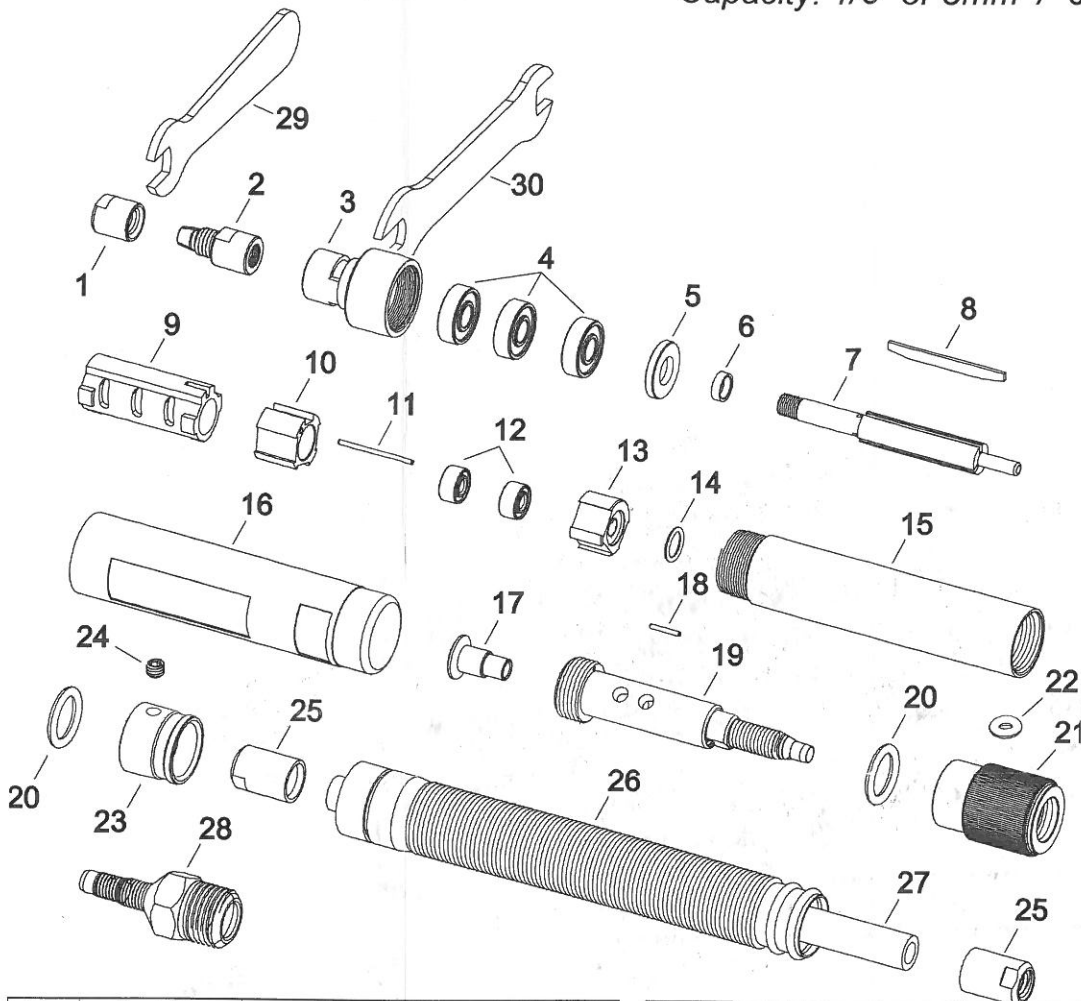


Industrial Air Micro Die Grinder

Capacity: 1/8" or 3mm / 60,000 RPM



No.	Part No.	Description	Q'ty
1	360600100	Collet Nut	1
2	360600200	Collet 3mm (For 606)	1
2	3606A0210	Collet 1/8" (For 606A)	1
3	360600300	Nut	1
4	360600400	Ball Bearing	3
5	360600500	Front End Plate	1
6	360600600	Bearing Spacer	1
7	360600700	Rotor	1
8	360600800	Rotor Blade	3
9	360600900	Cylinder	1
10	360601000	Rear End Plate	1
11	360601100	Cylinder Pin	1
12	360601200	Ball Bearing	2
13	360601300	Intake Plate	1
14	360601400	O-Ring	1
15	360601500	Housing	1

No.	Part No.	Description	Q'ty
16	360601600	Housing Rubber	1
17	360601700	Plug	1
18	360601800	Pin	1
19	360601900	Hose Plug	1
20	360602000	O-Ring	2
21	360602100	Air Regulator	1
22	360602200	O-Ring	1
23	360602300	Rear End Holder	1
24	360602400	Screw	1
25	360602500	Hose Net	2
26	360602600	Exhaust Hose	1
27	360602700	Hose	1
28	360602800	Inlet Adapter	1
29	360602900	Collet Wrench	1
30	360603000	Collet Wrench	1
*31	360603100	Nipple	1

*Not Illustrated

606/606A,Q01