

EA-5

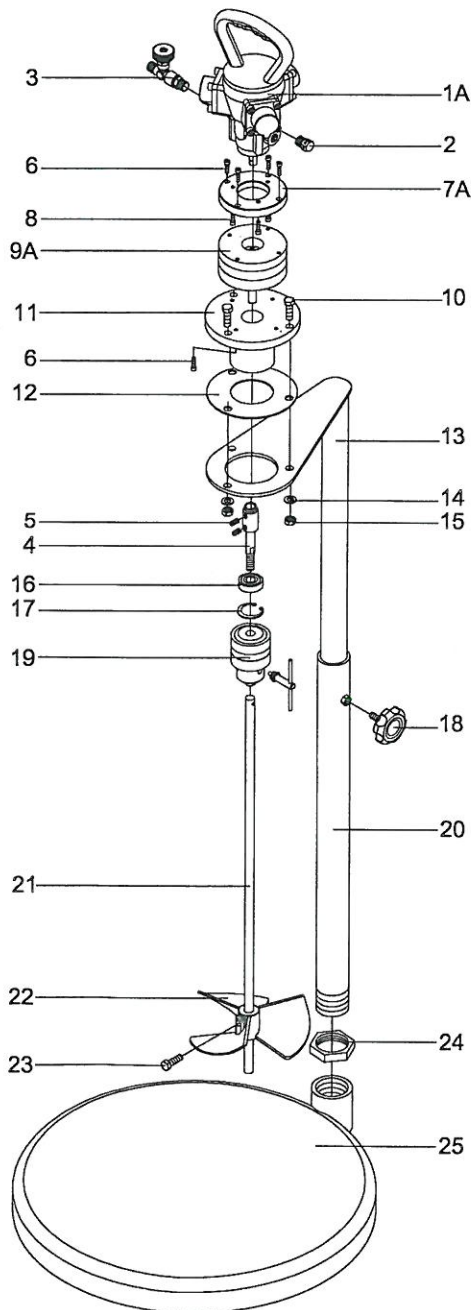
RETRACTABLE TYPE AGITATOR

With Gear Reducer

CONNECT AIR HOSE TO AIR VALVE(#3) TO DRIVE PNEUMATIC MOTOR
(ASJUST THE MOTOR SPEED BY CONTROLLING AIR VALVE)

EXCLUDE TROUBLE

TROUBLE	CAUSE	SOLUTION
STILL MOTOR	BROKEN MOTOR LINK	REPLACE MOTOR LINK
UNEVEN MIXING	LOOSE AGITATION FANS	FASTEN AGITATION FANS



ITEM NO.	DESCRIPTION	QTY
1A	AIR MOTOR	1
2	SILENCER	1
3	AIR VALVE	1
4	THREADED ROD	1
5	SET SCREW	2
6	SET SCREW	8
7A	MOTOR GASKET	1
8	SET SCREW	3
9A	GEAR REDUCER	1
10	HEX SCREW	3
11	MOTOR BASE	1
12	GASKET	1
13	MOTOR STAND	1
14	WASHER	3
15	HEX NUT	3
16	BEARING	1
17	LOCK RING	1
18	NUT	1
19	CHUCK	1
20	HOLDER COVER	1
21	AGITATION SHAFT	1
22	AGITATION BLADE	1
23	HEX SCREW	1
24	HOLDER NUT	1
25	ROUND STAND	1