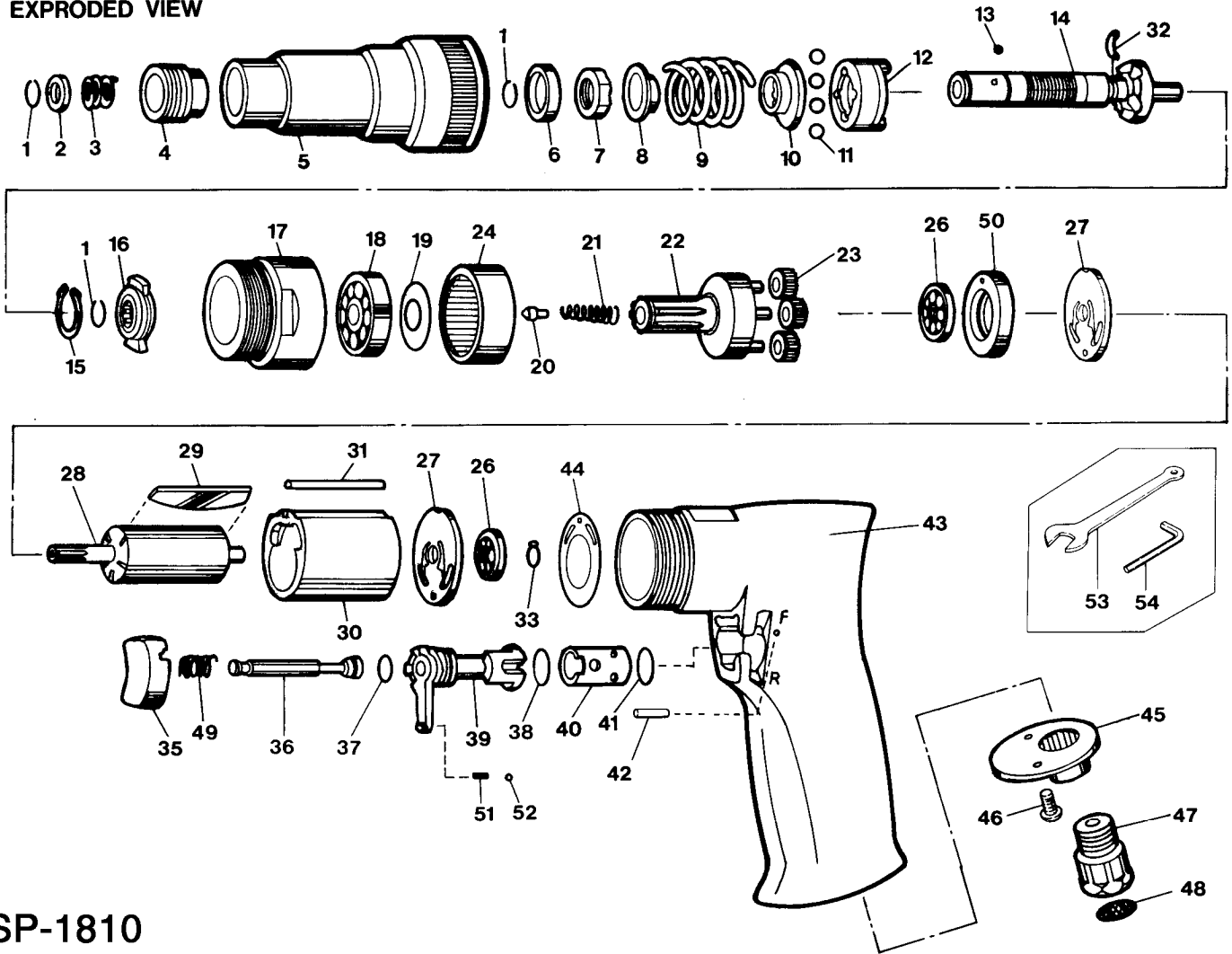


1/4" CAP. 1,300RPM SCREW DRIVER -PISTOL TYPE-

EXPLODED VIEW



SP-1810

PARTS LIST

Index No.	Parts No.	Description	Qty. Per tool
1	81001	Retaining Ring	3
2	81002	Washer	1
3	81003	Spring	1
4	81004	Ball Retaining	1
5	81005	Clutch Housing	1
6	81006	Spacer	1
7	81007	Adjust Nut	1
8	81008	Washer	1
9	81009	Spring	1
10	81010	Washer	1
11	81011	Steel Ball	4
12	81012	Clutch Corner	1
13	81013	Steel Ball	1
14	81014	Cam Spindle	1
15	81015	Retaining Ring	1
16	81016	Drive Clutch	1
17	81017	Clamp Nut	1
18	81018	Ball Bearing	1
19	81019	Washer	1
20	81020	Spring Guide	1
21	81021	Spring	1
22	81022	Work Spindle	1
23	81023	Planet Gear with Bush (55)	3
24	81024	Internal Gear	1
26	81026	Ball Bearing	2
27	81027	Front End Plate	2
28	81028	Rotor	1
29	81029	Rotor Blade	5

Index No.	Parts No.	Description	Qty. Per tool
30	81030	Cylinder	1
31	81031	Cylinder Pin	1
32	81032	Wiper	1
33	81033	Retaining Ring	1
35	81035	Trigger	1
36	81036	Valve Stem	1
37	81037	"O" Ring	1
38	81038	"O" Ring	1
39	81039	Reverse Lever	1
40	81040	Reverse Bushing	1
41	81041	"O" Ring	1
42	81042	Pin	1
43	81043	Housing	1
44	81044	Motor Gasket	1
45	81045	Exhaust Deffuser	1
46	81046	Screw	2
47	81047	Air Inlet	1
48	81048	Air Screen	1
49	81049	Spring	1
50	81050	Bearing Cap	1
51	81051	Rubber Spring	1
52	81052	Steel Ball	1
53	81053	Spanner Wrench	1
54	81054	Allen Wrench	1