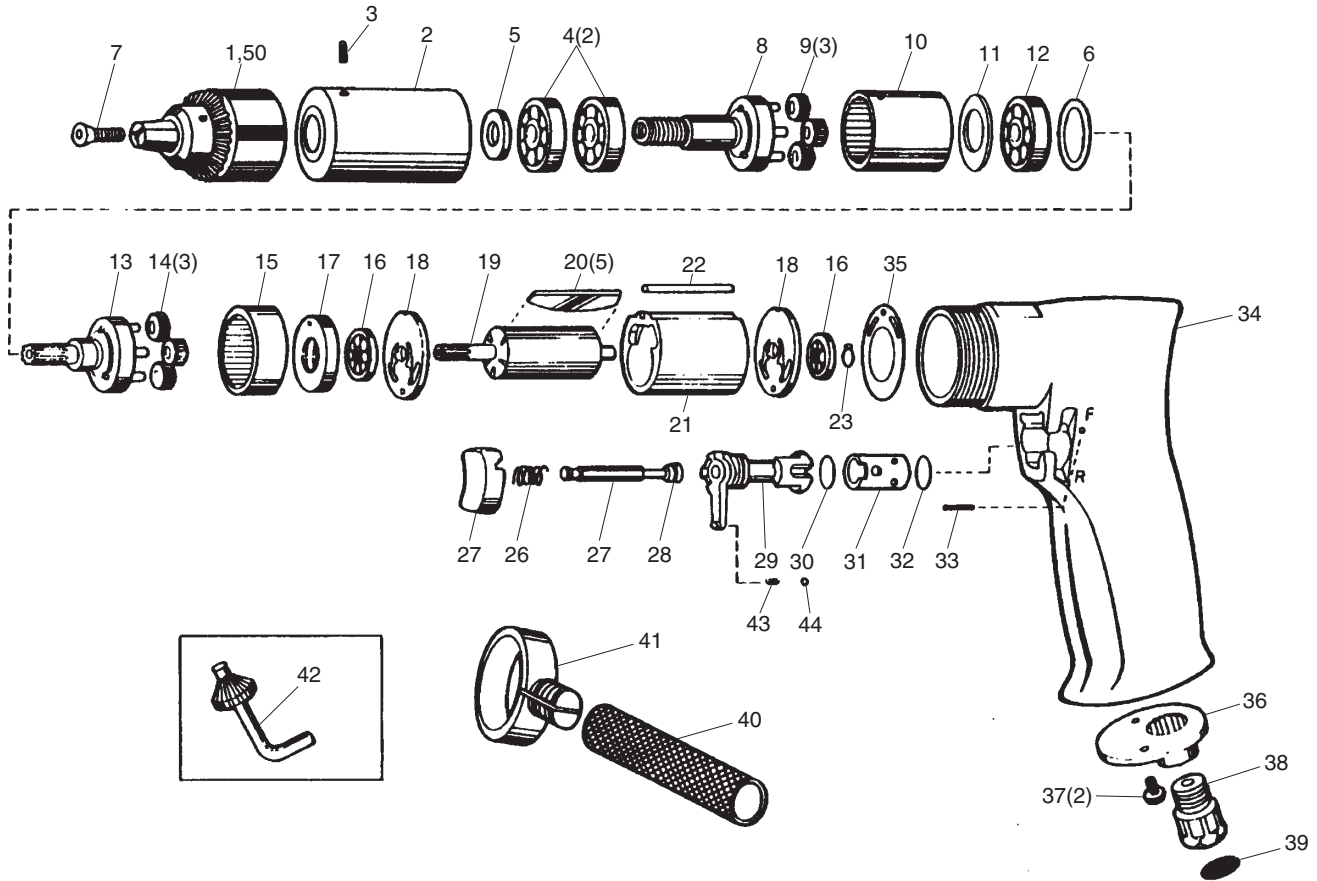


# 1/2" REVERSE DRILL

EXPLODED VIEW

SP-1527(KL)



**PARTS LIST**

Index No.	Parts No.	Description	Qty. Per tool
1	527-01	Drill Chuck	1
2	527-02	Clamp Nut	1
3	527-03	Set Screw	1
4	527-04	Ball Bearing	2
5	527-05	Washer	1
6	527-06	Spacer	1
7	527-07	Screw	1
8	527-08	Planet Carrier	1
9	527-09	Planet Gear	3
10	527-10	Internal Gear	1
11	527-11	Spacer	1
12	527-12	Ball Bearing	1
13	527-13	Planet Carrier	1
14	527-14	Planet Gear	3
15	527-15	Internal Gear	1
16	527-16	Ball Bearing	2
17	527-17	Bearing Case	1
18	527-18	End Plate	2
19	527-19	Rotor	1
20	527-20	Rotor Blade	5
21	527-21	Cylinder	1
22	527-22	Motor Pin	1
23	527-23	Retaining Ring	1
25	527-25	Trigger	1
26	527-26	Valve Spring	1
27	527-27	Throttle Valve	1
28	527-28	O-Ring	1
29	527-29	Reverse Valve	1
30	527-30	O-Ring	1

Index No.	Parts No.	Description	Qty. Per tool
31	527-31	Reverse Valve Bush	1
32	527-32	O-Ring	1
33	527-33	Pin	1
34	527-34	Motor Housing	1
35	527-35	Motor Gasket	1
36	527-36	Exhaust Defuser	1
37	527-37	Screw	2
38	527-38	Air Inlet	1
39	527-39	Screen	1
40	527-40	Handle	1
41	527-41	Clamp Ring	1
42	527-42	Chuck Key	1
43	527-43	Rubber Spring	1
44	527-44	Steel Ball	1
50	527-50	Key Less Chuck	1