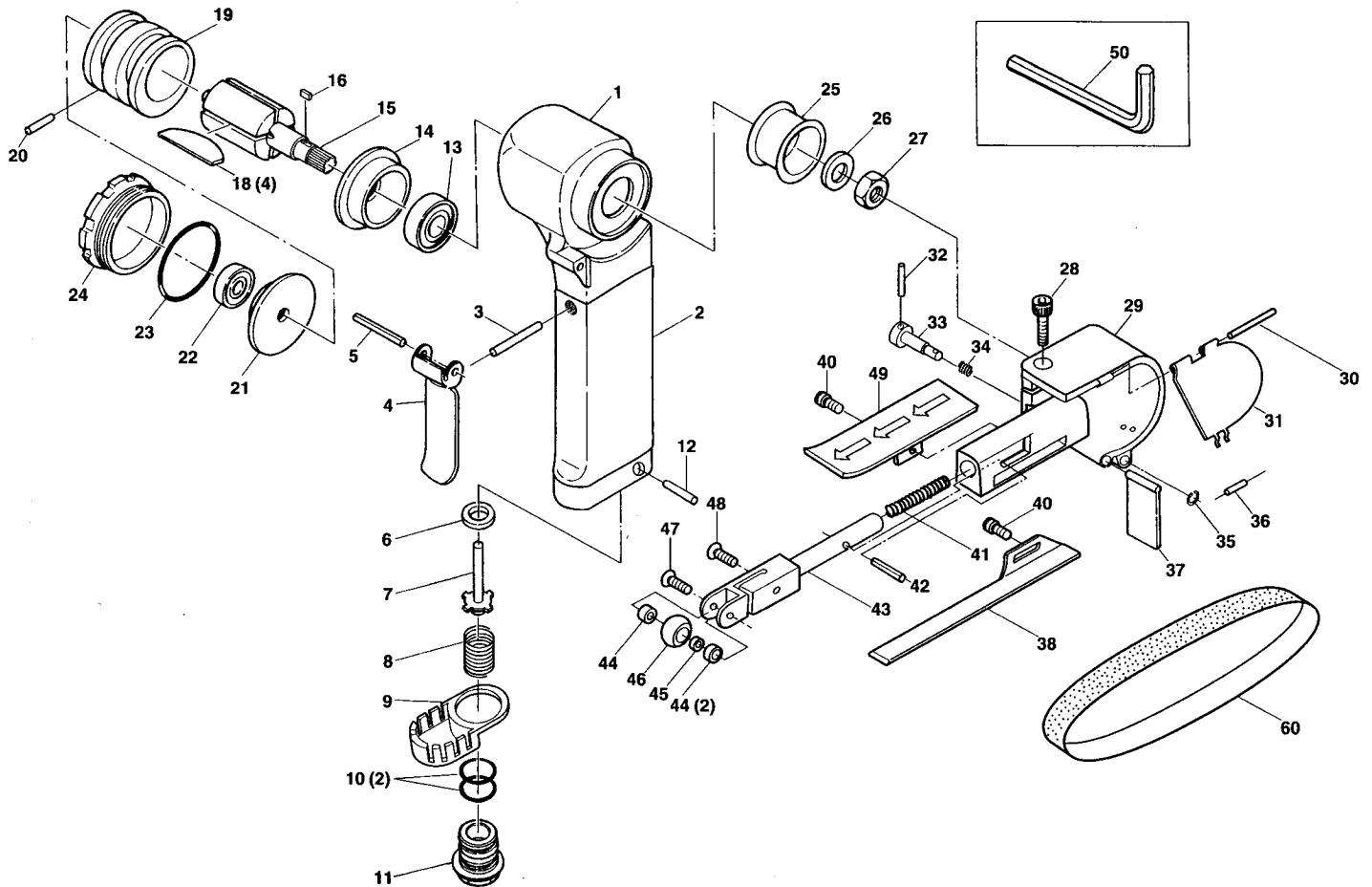


20mm BELT SANDER

EXPLODED VIEW SP-1380



PARTS LIST

Index No.	Parts No.	Description	Qty. Per tool
1	380-01	Motor Housing	1
2	380-02	Handle Cover	1
3	380-03	Valve Pin	1
4	380-04	Throttle Lever	1
5	380-05	Lever Pin	1
6	380-06	Valve Seat	1
7	380-07	Valve	1
8	380-08	Valve Spring	1
9	380-09	Deflector	1
10	380-10	O-Ring	2
11	380-11	Inlet Bushing	1
12	380-12	Spring Pin	1
13	380-13	Ball Bearing	1
14	380-14	Front End Plate	1
15	380-15	Rotor	1
16	380-16	Key	1
18	380-18	Rotor Blade	4
19	380-19	Cylinder	1
20	380-20	Cylinder Pin	1
21	380-21	Rear End Plate	1
22	380-22	Ball Bearing	1
23	380-23	O-Ring	1
24	380-24	Motor Nut	1
25	380-25	Drive Pulley	1
26	380-26	Washer	1

Index No.	Parts No.	Description	Qty. Per tool
27	380-27	Lock Nut	1
28	380-28	Adjust Screw	1
29	380-29	Wheel Cover Body	1
30	380-30	Spring Pin	1
31	380-31	Wheel Cover	1
32	380-32	Spring Pin	1
33	380-33	Cover Lock Pin	1
34	380-34	Spring	1
35	380-35	Retaining Ring	1
36	380-36	Spring Pin	1
37	380-37	Apron	1
38	380-38	Shoe	1
40	380-40	Screw	2
41	380-41	Tension Spring	1
42	380-42	Stop Pin	1
43	380-43	Tension Arm	1
44	380-44	Ball Bearing	2
45	380-45	Spacer	1
46	380-46	Idle Pulley	1
47	380-47	Pulley Bolt	1
48	380-48	Adjust Screw	1
49	380-49	Belt Cover	1
50	380-50	Allen Key Wrench	1
60	380-60	Sanding Belt #60	1