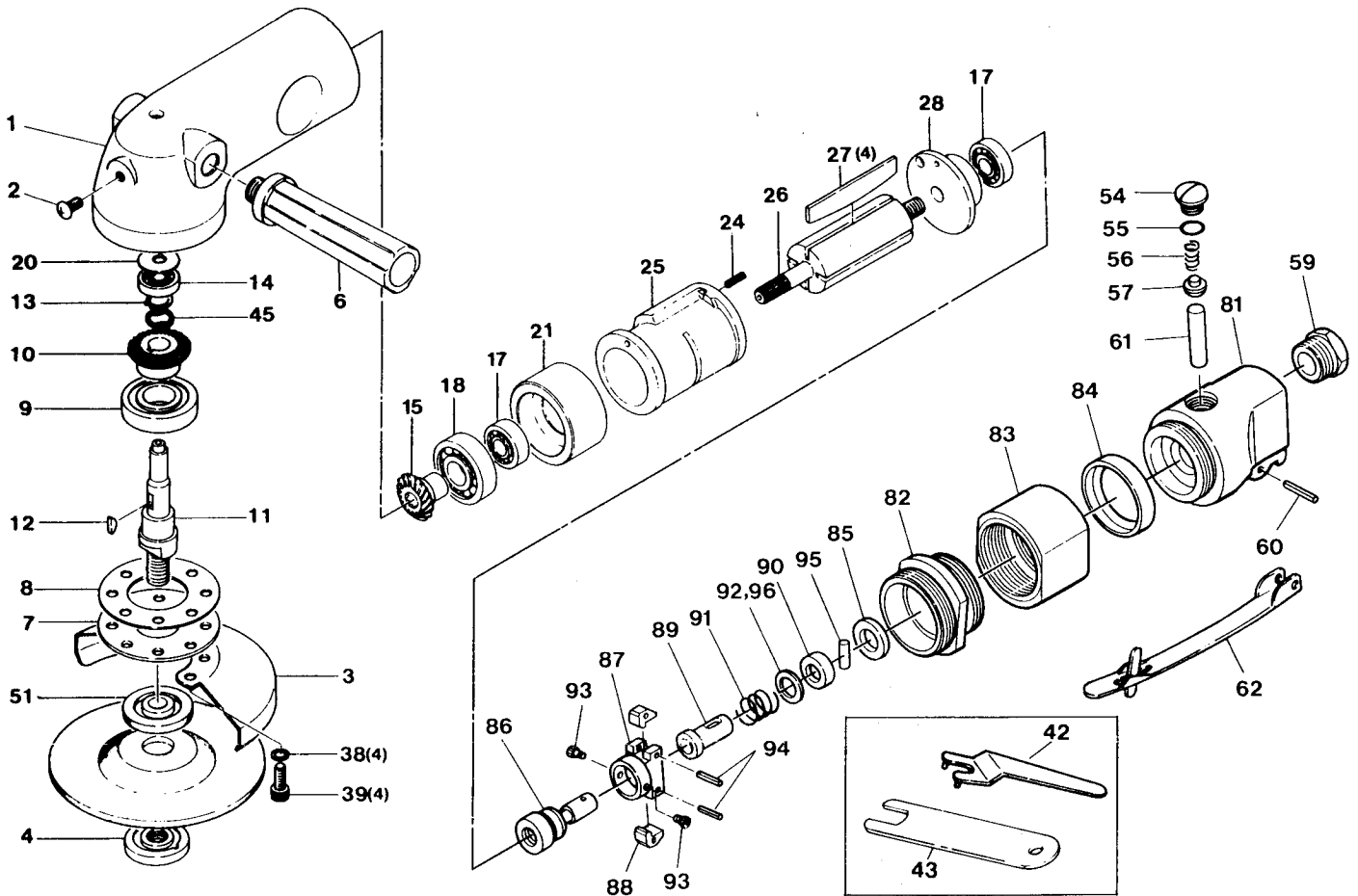


4-1/2" ANGLE DISC GRINDER

EXPLODED VIEW
SP-1257

LEVER TYPE



PARTS LIST

Index No.	Parts No.	Description	Qty. Per tool
1	25701	Body	1
2	25702	Screw	1
3	25703	Disc Cover	1
4	25704	Disc Nut	1
6	25706	Grip	1
7	25707	Retainer	1
8	25708	Gasket	1
9	25709	Bearing	1
10	25710	Bevel Gear	1
11	25711	Gear Shaft	1
12	25712	Key	1
13	25713	Ret. Ring	1
14	25714	Bearing	1
15	25715	Pinion	1
17	25717	Bearing	2
18	25718	Bearing	1
20	25720	Spacer	1
21	25721	Front Plate	1
24	25724	Spring Pin	1
25	25725	Cylinder	1
26	25726	Rotor	1
27	25727	Rotor Blade	4
28	25728	Rear Case	1
38	25738	Washer	4
39	25739	Screw	4
42	25742	Disc Wrench	1
43	25743	Stop Spanner	1
45	25745	Wave Washer	1

Index No.	Parts No.	Description	Qty. Per tool
51	25751	Disc Receiver(Steel)	1
54	25754	Valve Nut	1
55	25755	*O* Ring	1
56	25756	Valve Spring	1
57	25757	Valve Ball	1
59	25759	Bushing	1
60	25760	Pin	1
61	25761	Valve Pin	1
62	25762	Throttle Lever	1
81	25781	Valve Housing	1
82	25783	Lock Ring	1
83	25783	Coupling	1
84	25784	Spacer	1
85	25785	Governor Sheel	1
86	25786	Governor Shaft	1
87	25787	Governor	1
88	25788	Pendulum	2
89	25789	Governor Sleeve	1
90	25790	Washer	1
91	25791	Adjust Spring	1
92	25792	Adjust Ring (0.5 mm)	(0-2)
93	25793	Set Screw	2
94	25794	Spring Pin	2
95	25795	Pin	1
96	25796	Adjust Ring (0.2 mm)	(0-2)