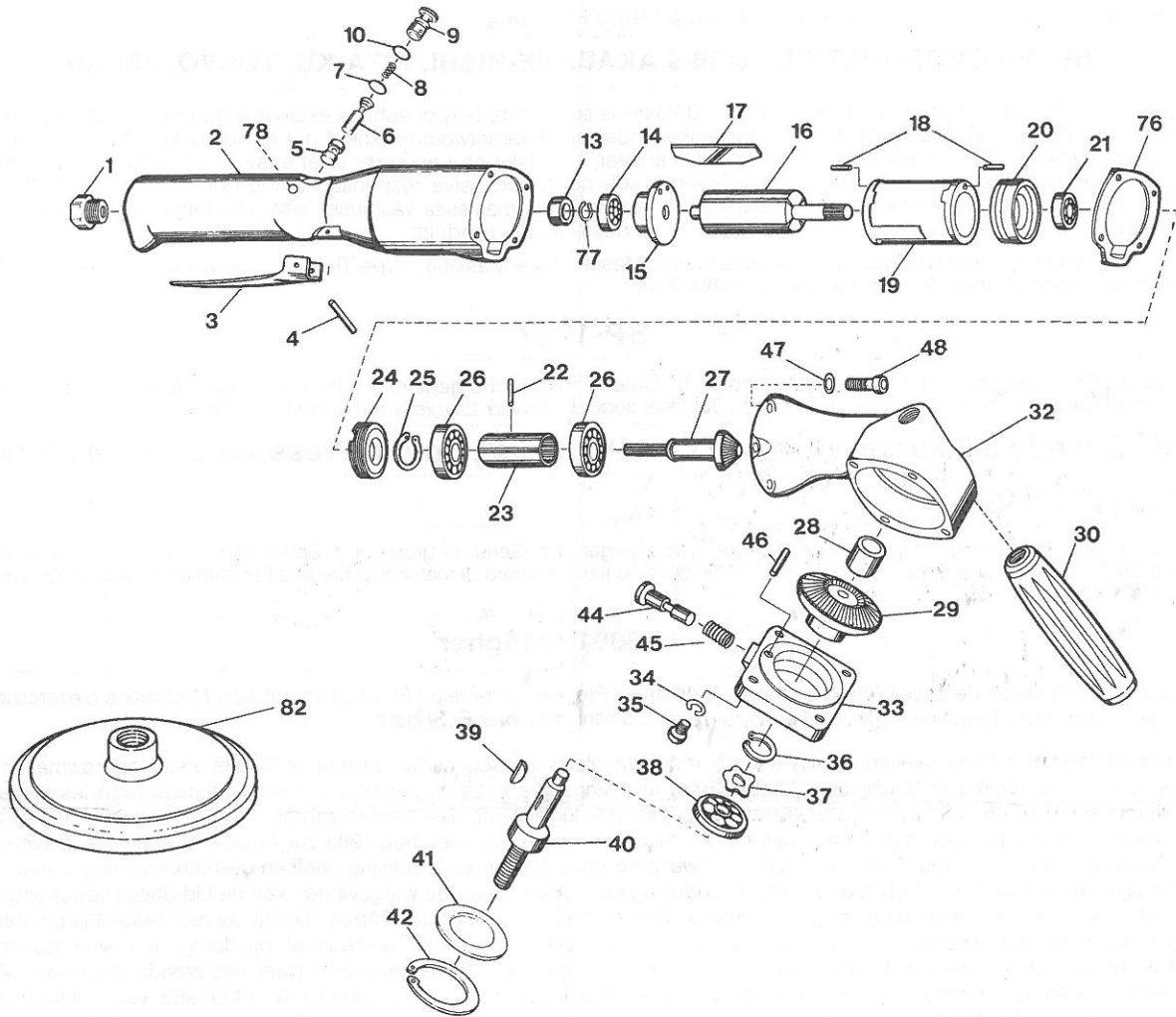


8" CAP. 2,200RPM ANGLE HEAD POLISHER

EXPLODED VIEW



PARTS LIST

Index No.	Parts No.	Description	Qty. Per tool
1	24701	Hose Adapter	1
2	24702	Motor Housing Assy Incl: (5)	1
3	24703	Throttle Lever	1
4	24704	Lever Pin	1
5	24705	Valve Bushing	1
6	24706	Valve Stem	1
7	24707	"O" Ring	1
8	24708	Spring	1
9	24709	Air Regulator	1
10	24710	"O" Ring	1
13	24713	Bearing Cap	1
14	24714	Ball Bearing	1
15	24715	Rear End Plate	1
16	24716	Rotor	1
17	24717	Rotor Blade	4
18	24718	Roll Pin	2
19	24719	Liner	1
20	24720	Front End Plate	1
21	24721	Ball Bearing	1
22	24722	Roll Pin	1
23	24723	Coupling	1
24	24724	Clamp Nut	1
25	24725	Retaining Ring	1
26	24726	Ball Bearing	2
27	24727	Pinion	1
28	24728	Needle Bearing	1

Index No.	Parts No.	Description	Qty. Per tool
29	24729	Gear	1
30	24730	Dead Handle	1
32	24732	Angle Housing	1
33	24733	Lock Ring	1
34	24734	Washer	4
35	24735	Screw	4
36	24736	Retaining Ring	1
37	24737	Washer	1
38	24738	Ball Bearing	1
39	24739	Key	1
40	24740	Spindle	1
41	24741	Washer	1
42	24742	Retaining Ring	1
44	24744	Stopper Pin	1
45	24745	Spring	1
46	24746	Roll Pin	1
47	24747	Lock Washer	4
48	24748	Screw Cap	4
76	24776	Motor Housing Gasket	1
77	24777	Retaining Ring	1
78	24778	Roll Pin	1
82	24782	7" Polishing Pad	1