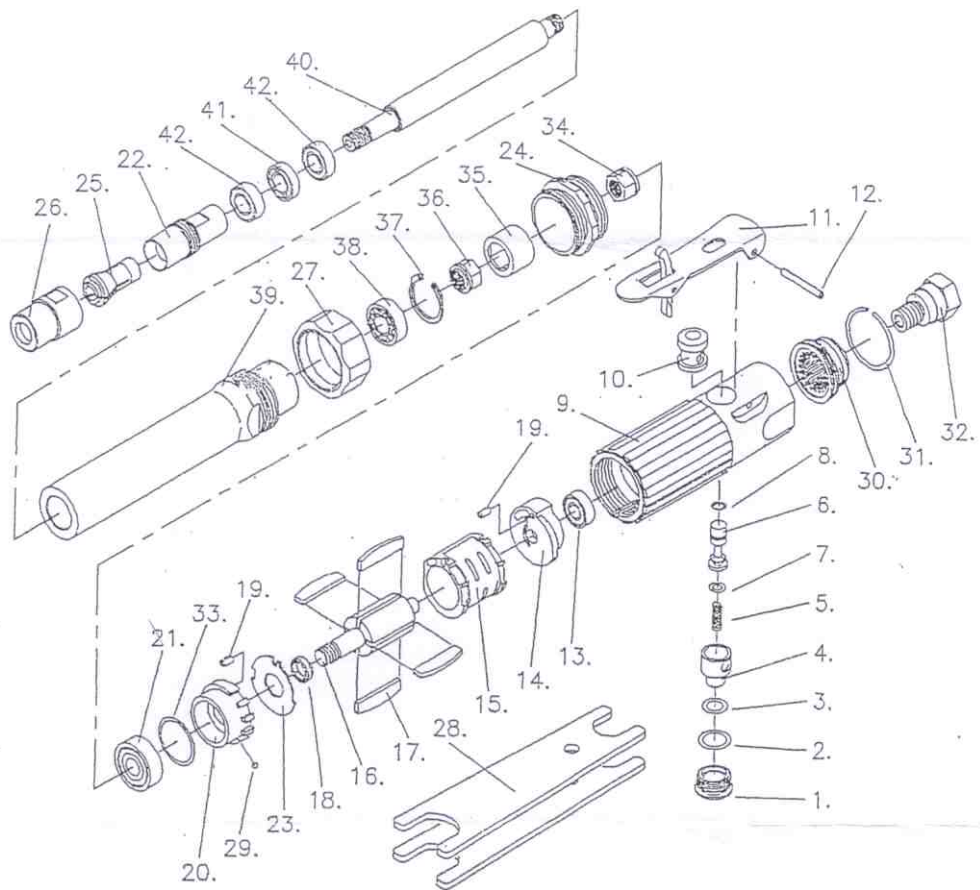


SA-E5R-25



PARTS LIST

REF. NO.	PART NO.	DESCRIPTION	Q'TY/TOOL	COST NTD	REF. NO.	PART NO.	DESCRIPTION	Q'TY/TOOL	COST NTD
1		Plug Screw	1		22		Spindle	1	
2		O-Ring	1		23		Steel Plate	1	
3		O-Ring	1		24		Lock Ring	1	
4		Air Regulator	1		25		Collet	1	
5		Valve Spring	1		26		Collet Nut	1	
6		O-Ring	1		27		Housing Cap	1	
7		Valve stem	1		28		Wrench 11mm*17mm	2	
8		O-Ring	1		29		Ball	1	
9		Motor Housing	1		30		Muffler	1	
10		Valve Bushing	1		31		Retaining Ring	1	
11		Lever	1		32		Air Inlet	1	
12		Lever Pin	1		33		Shim Pack	0-2	
13		Bearing	1		34		Coupling Nut	1	
14		Bearing Plate	1		35		Coupling	1	
15		Cylinder	1		36		Coupling Nut	1	
16		Rotor	1		37		Retaining Ring	1	
17		Rotor Blade	4		38		Bearing	1	
18		Rotor Collar	1		39		Spindle Housing 5"	1	
19		Locating Pin	2		40		Spindle	1	
20		Bearing Plate	1		41		Bearing	1	
21		Bearing	1		42		Bearing	2	