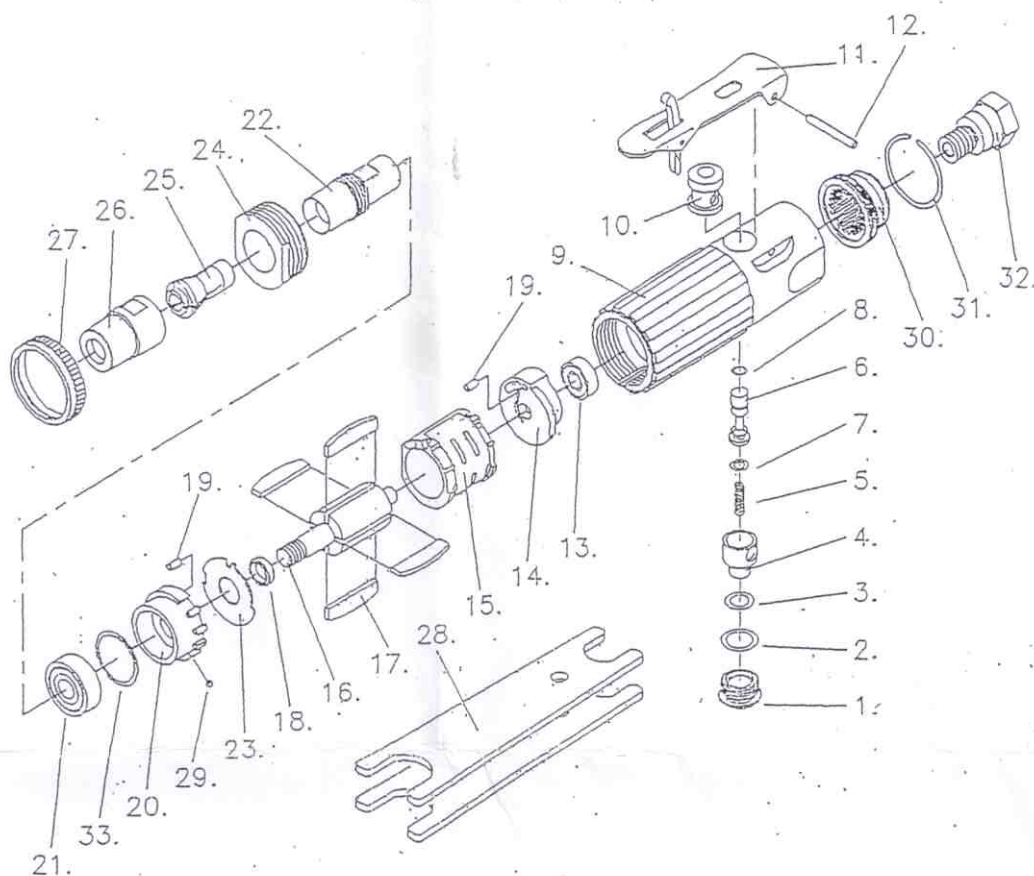


SA-3R2-25



PARTS LIST

REF. NO.	PART NO.	DESCRIPTION	Q'TY/TOOL	COST NTD.	REF. NO.	PART NO.	DESCRIPTION	Q'TY/TOOL	COST NTD.
1		Plug Screw	1		18		Rotor Collar	1	
2		O-Ring	1		19		Locating Pin	2	
3		O-Ring	1		20		Bearing Plate	1	
4		Air Regulator	1		21		Bearing	1	
5		Valve Spring	1		22		Spindle	1	
6		O-Ring	1		23		Steel Plate	1	
7		Valve stem	1		24		Lock Ring	1	
8		O-Ring	1		25		Collet	1	
9		Motor Housing	1		26		Collet Nut	1	
10		Valve Bushing	1		27		Housing Cap	1	
11		Lever	1		28		Wrench 11mm*17mm	2	
12		Lever Pin	1		29		Ball	1	
13		Bearing	1		30		Muffler	1	
14		Bearing Plate	1		31		Retaining Ring	1	
15		Cylinder	1		32		Air Inlet	1	
16		Rotor	1		33		Shim Pack	0-2	
17		Rotor Blade	4						