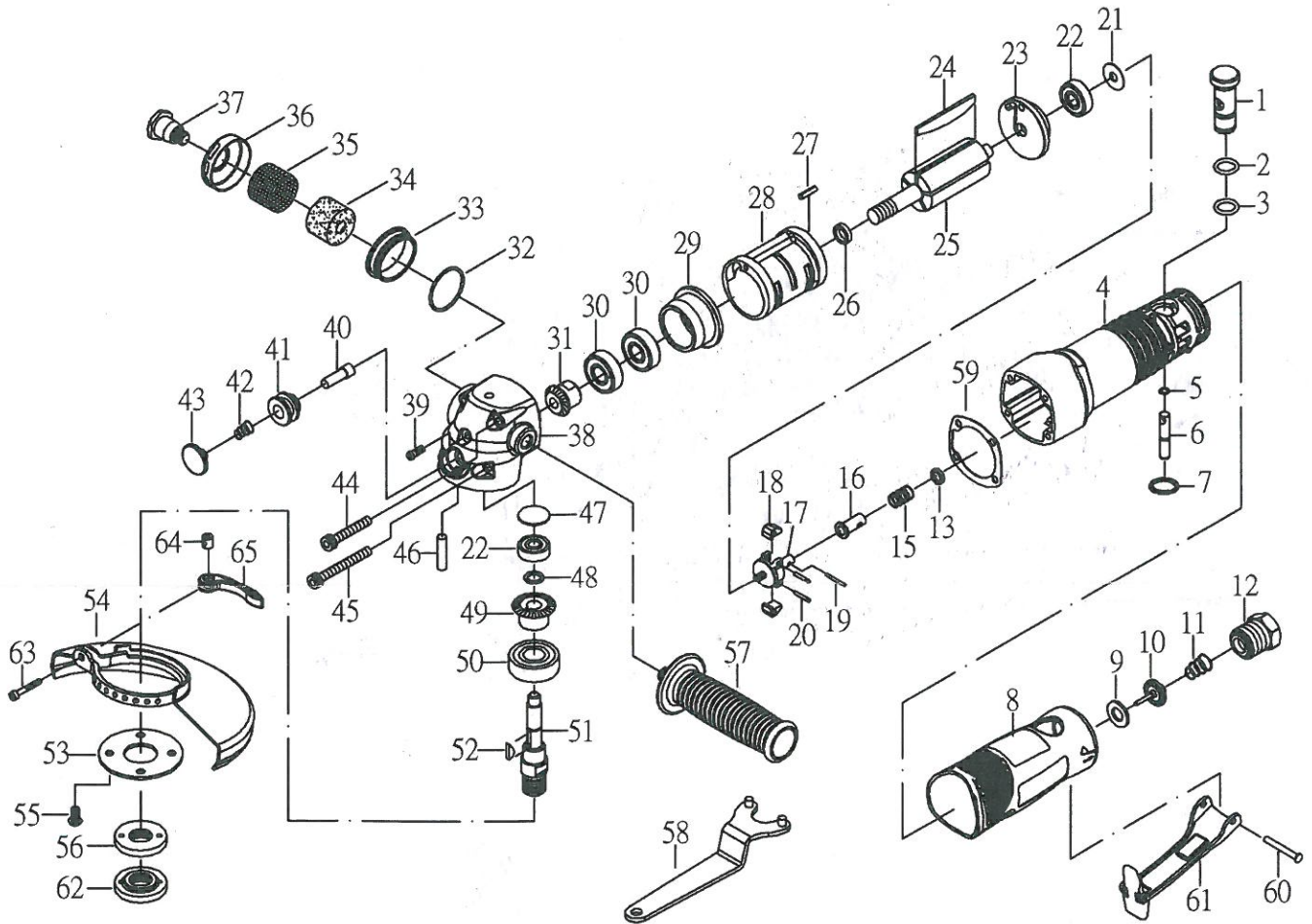


Technical Details	Speed RPM	Wheel mm/inch	Spindle Size	Power KW/HP	Length mm/inch	Weight kg/lb	Air Consumption LPM / CFM	Vibration m/s ²	Noise dB(A) LpA LWA	Uncertainty KpA Kwa	Air Inlet inch	Working Pressure Bar / PSI
75030	11,000	127 (5)	M14-2 (5/8-11)	0.97 (1.3)	230 (9)	1.8 (4.4)	85 (4)	--	--	--	1/4	6.2 (90)



Index No.	Description	Quantity	Index No.	Description	Quantity	Index No.	Description	Quantity
1	REGULATOR	1	24	ROTOR BLADE	5	46	PIN (3*12L)	1
2	O-RING (P10)	1	25	ROTOR	1	47	SPACER	1
3	O-RING (P9)	1	26	BEARING SPACER	1	48	RETAINING RING	1
4	HOUSING	1	27	PIN (3*8L)	1	49	BEVEL GEAR (19T)	1
5	O-RING (3.5*1.4)	1	28	CYLINDER	1	50	BEARING (6202ZZ)	1
6	VALVE STEM	1	29	FRONT PLATE	1	51	SHAFT (M14x2 or 5/8-11)	1
7	SNAP RING	1	30	BEARING (6000ZZ)	2	52	KEY	1
8	PROTECTING RUBBER	1	31	BEVEL GEAR (13T)	1	53	FACE PLATE	1
9	WASHER	1	32	O-RING (26.7*1.78 A-023)	1	54	DISC COVER (5")	1
10	VALVE	1	33	BUSHING	1	55	SCREW	4
11	SPRING	1	34	SILENCER	1	56	DISC NUT (M14x2 or 5/8-11)	1
12	AIR INLET	1	35	STAINLESS MESH	1	57	HANDLE	1
13	SPRING HOLDER	1	36	EXHAUST SLEEVE	1	58	DISC SPANNER (180mm)	1
15	SPRING (9.7*1.2T*16.5)	1	37	ADAPTER	1	59	PACKING	1
16	GOVERNOR VALVE	1	38	ANGLE HOUSING	1	60	SPRING PIN	1
17	GOVERNOR CAGE	1	39	SCREW (M5*6L)	1	61	SAFETY THROTTLE	1
18	GOVERNOR WEIGHT	2	40	SHAFT STEM	1	62	DISC NUT (M14x2 or 5/8-11)	1
19	PIN (2*11.8L)	1	41	BUSHING	1	63	SCREW	1
20	GOVERNOR PIN	2	42	SPRING	1	64	BUSHING	1
21	WASHER	2	43	PUSH BUTTON	1	65	TRIGGER	1
22	BEARING (608ZZ)	2	44	SCREW (M5*45L)	2			
23	REAR PLATE	1	45	SCREW (M5*55L)	5			