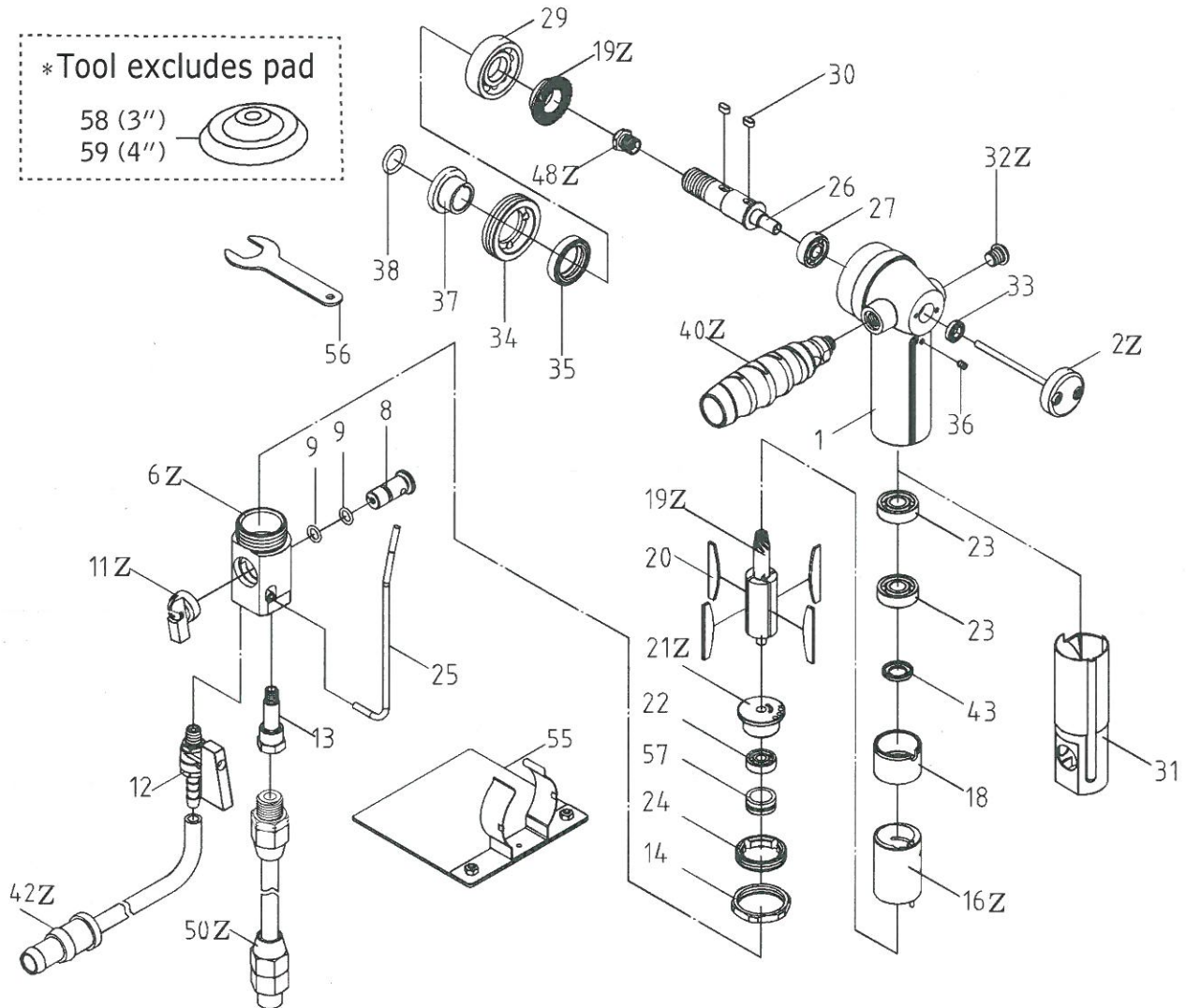


Detalles Técnicos Technical Details	Speed RPM	Pad mm/inch	Spindle Size	Length mm/inch	Weight kg/lb	Air Consumption LPM / CFM	Air Inlet inch	Working Pressure Bar / PSI
56040	4,500	100 (4)	M14,M16,5/8"	230 (9.0)	1.14 (2.51)	80 (2.8)	1/4	6.3 (90)



Index No.	Description	Quantity	Index No.	Description	Quantity	Index No.	Description	Quantity
01	Housing	1	23	Ball Bearing	2	40Z	Handle Ass'y	1
02Z	Water Intel Transfer Ass'y	1	24	Locking Cap	1	42Z	Water Tube Ass'y	1
06Z	Shifting Post Ass'y	1	25	Water Inlet Tube	1	43	Oil Seal	1
08	Air Plunger	1	26	Spindle	1	48Z	Fountain Head Ass'y	1
09	O-Ring	2	27	Ball Bearing	1	50Z	Connect Head Ass'y	1
11Z	Reverse Valve Ass'y	1	29	Ball Bearing	1	55	Shield	1
12	Water Cock	1	30	Locking Key	2	56	Wrench	1
13	Air Inlet Bushing	1	31	Handle Grip	1	57	Bearing Cap	1
14	Gear Case	1	32Z	Screw Ass'y	1	58	3" Pad (M14)	1
16Z	Cylinder Ass'y	1	33	Oil Seal	1	58-1	3" Pad (M16)	1
18	Front End Plate	1	34	Locking Screw Cap	1	58-2	3" Pad (5/8"-11UNF)	1
19Z	Rotor Ass'y	1	35	Oil Seal	1	59	4" Pad (M14)	1
20	Rotor Blade	4	36	Screw	1	59-1	4" Pad (M16)	1
21Z	Rear End Plate Ass'y	1	37	Locking Gasket	1	59-2	4" Pad (5/8"-11UNF)	1
22	Ball Bearing	1	38	O-Ring	1			

\* Standard 56040 Exclusive of pad

\* Due to our continuous improvement, all specifications are subject to change without prior notice.