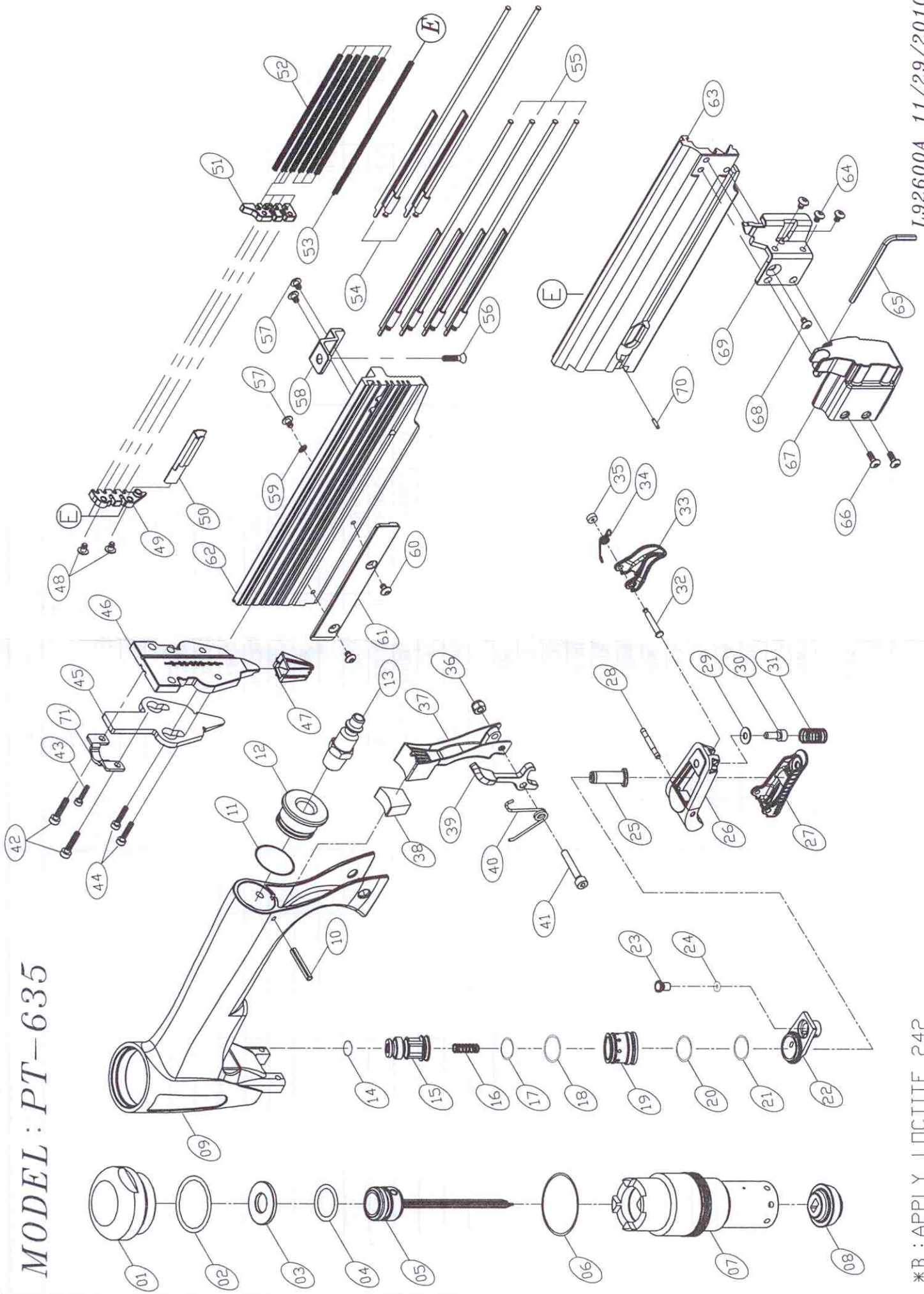


MODEL : PT-635



*B : APPLY LOCTITE 242

L92600A 11/29/2010

PARTS LIST (PT-635)

***WHEN ORDERING SPARE PARTS, PLEASE STATE ITEM No, PART NO. AND DESCRIPTION.**

ITEM	PART NO	DESCRIPTION	QTY	ITEM	PART NO	DESCRIPTION	QTY	ITEM	PART NO	DESCRIPTION	QTY
01	92600701	HAMMER CAP HAMMER	1	35	16103001	PU RING	1	69	92600501	LATCH	1
02	92600801	O-RING	1	36	LN0400N	LOCK NUT	1	70	92603101	PIN	1
03	31600301	PISTON STOPPER	1	37	31603502	EXHAUST COVER	1	71	92604001	NOSE PLATE	1
04	OR13824N	O RING**	2	38	31606101	MUFFLER	1				
05	92601001	PISTON RAM ASSEMBLY	2	39	33403801	LATCH	1				
06	92601101	O-RING	1	40	31603701	TOR SPRING	1				
07	92601201	CYLINDER	1	41	HS04070B-25	HEX. SOC. HD. BOLT	1				
08	92600101	BUMPER	1	42	92603901	HEX SOC BOLT	2				
09	31601201	BODY	1	43	HS04070B-12	HEX. SOC. HD. BOLT	1				
10	RP3025S	ROLLED PIN	1	44	HS04070B-08	HEX. SOC. HD. BOLT	2				
11	OR20326N	O RING	1	45	92601601	NOSE COVER	1				
12	31603301	END CAP	1	46	92600201	NOSE	1				
13	12106411	EURO SWIVEL PLUG MALE 1/4	1	47	92601701	NO MAR TIP	1				
14	OR07626N	O RING	2	48	92601801	HEX SOC BOLT FLAT HEAD	2				
15	31601701	VALVE PLUNGER	1	49	92601901	SPRING GUIDE SEAT A	1				
16	31602201	SPRING	1	50	92602001	PUSHER A	1				
17	OR12418N	O RING	1	51	92602101	SPRING GUIDE SPRING	1				
18	OR15618N	O RING	1	52	92602201	SPRING	6				
19	31602001	VALVE CYLINDER	1	53	92602301	PUSHER SPRING	1				
20	OR17313N	O RING	1	54	92602401	PUSHER L ASSEMBLY	2				
21	OR17218N	O RING	1	55	92602501	PUSHER C ASSEMBLY	4				
22	31602301	PLUNGER COVER	1	56	FH04070B-12	FLAT. HD. BOLT	1				
23	31602601	TRIGGER VALVE STEM	1	57	US04070B-10	UM. HD. BOLT	3				
24	OR02518N	O RING	1	58	92600301	TAIL HANGER	1				
25	31602401	CONNECTING TUBE	1	59	92602701	SPRING WASHER	1				
26	31602503	TRIGGER BASE	1	60	FH03050B-06	FLAT. HD. BOLT	2				
27	31602803	TRIGGER	1	61	92602901	PLATE	1				
28	31602901	PIN	1	62	92602801	MAGAZINE	1				
29	FW040100B-08	FLAT WASHER	1	63	92600401	MAGAZINE COVER	1				
30	HS04070B-10	HEX. SOC. HD. BOLT	1	64	92603201	HEX SOC BOLT FLAT HEAD	3				
31	12103901	SPRING	1	65	HE030S	HEX. SPAANNER	1				
32	12105802	SHAFT	1	66	US04070B-08	UM. HD. BOLT	2				
33	31606001		1	67	92600601	REAR MAGAZINE BUMPER	1				
34	11009101	TOR. SPRING	1	68	FH04070B-07	FLAT. HD. BOLT	1				

NO : L92600A

DATE: 11/29/2010