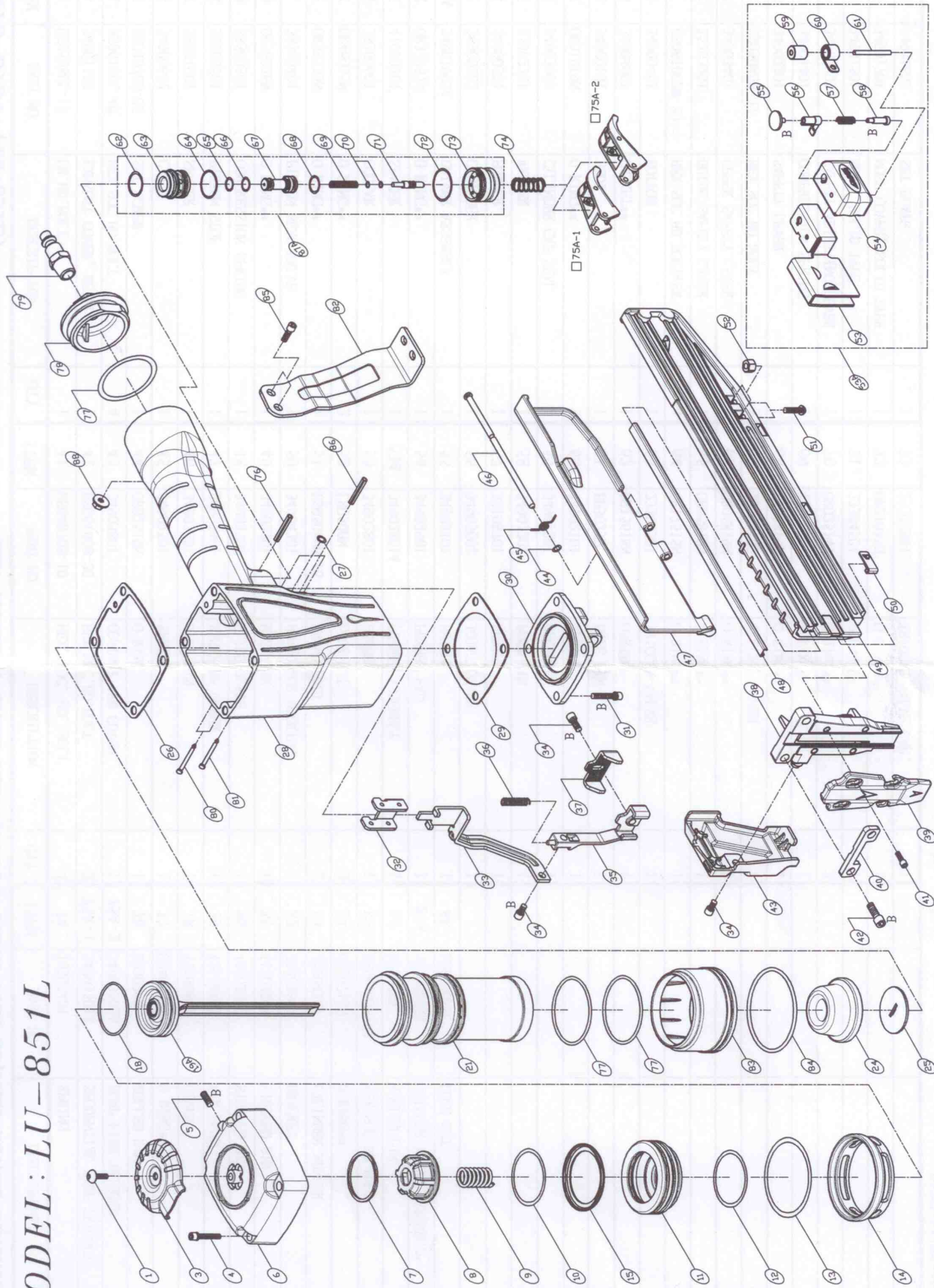


# MODEL : LU-851L



\*R : APPLY LOCTITE 271  
 \*B : APPLY LOCTITE 242

**PARTS LIST (LU-851L)**

**\*WHEN ORDERING SPARE PARTS, PLEASE STATE ITEM No, PART NO. AND DESCRIPTION.**

ITEM	PART NO	DESCRIPTION	QTY	ITEM	PART NO	DESCRIPTION	QTY	ITEM	PART NO	DESCRIPTION	QTY
01	US05080L-10	UM.HD.BOLT	1	41	HS04070B-10	HEX. SOC. HD. BOLT	4	74	16305401	SPRING	1
03	34901102	EXHAUST COVER, METAL	1	42	HS06100B-20	HEX.SOC.HD.BOLT	2	75A-1	34903501A	SEQUENTIAL FIRE TRIGGER	1
04	HS06100L-40	HEX.SOC.HD.BOLT	4	43	34903801	CONTACT ARM COVER	1	75A-2	34903502A	BUMP FIRE TRIGGER	1
05	SS04070B-06	SET SCREW	1	44	OR02519N	O RING	1	76	RP3020R	ROLLED PIN	1
06	34900602	CAP	1	45	34902501	SPRING	1	77	OR40030N	O RING**	3
07	38301001	SPACER	1	46	34903301	STEP PIN	1	78	11106601	COVER	1
08	38300501	PISTON STOP	1	47	34902401	MAGAZINE COVER	1	79	12106401	AIR PLUG	1
09	38300301	COMPRESSION SPRING	1	48	34902701	SLIDE PLATE	1	80	16102902	STEPPED PIN	2
10	OR36226N	O RING**	1	49	34902301	MAGAZINE	1	81	11103201	STEPPED PIN	1
11	38300401	PISTON HEAD VALVE	1	50	34904301	BOARD FOR HOOKING	1	82	34902601	BRACKET	1
12	OR39735N	O RING**	1	51	US05080B-16	UM.HD.BOLT	2	83	34904201	CYLINDER SPACER	1
13	OR46035N	O RING**	2	52	LN0500N	LOCK NUT	2	84	OR56718N	O RING**	1
14	38300601	COLLAR	1	53	34902801	PUSHER	1	85	HS06100B-22	HEX.SOC.HD.BOLT	2
15	41000201	SPACER	1	53A	34902801A	PUSHER ASSEMBLY	1	86	RP3030R	ROLLED PIN	1
18	OR33037N	O RING**	1	54	34902901	PUSHER PAD	1	87A	23303804A	TRIGGER VALVE ASSEMBLY^	1
19A	34901902A	DRIVER ASSEMBLY	1	55	34903101	BUTTON	1	88	LN0600NB	LOCK NUT	2
21	34900202	CYLINDER	1	56	34903001	JOINT GUIDE	1				
24	34900501	BUMPER	1	57	32108701	SPRING	1				
25	15302301	WASHER	1	58	34903201	POST PIN	1				
26	34903901	CYLINDER CAP SEAL	1	59	34901301	ROLLER	1				
27	OR01919N	O RING**	3	60	34902101	SPRING	1				
28	34900101	BODY	1	61	BP3025P	BALL PIN	1				
29	34904001	GASKET**	1	62	OR15618N	O RING	1				
30	34900401	BOTTOM	1	63	23303501	TRIGGER VALVE	1				
31	HS06100BW-20	HEX.SOC.HD.BOLT+SW	4	64	OR17515N	O RING**	1				
32	25203201	GUIDE SAFETY LEVER	1	65	OR05819N	O RING**	1				
33	34903401	UPPER SAFETY LEVER	1	66	OR06819N	O RING**	1				
34	HS05080B-07	HEX.SOC.HD.BOLT	3	67	23304103	VALVE PLUNGER	1				
35	34902201	SAFETY LEVER	1	68	OR08819N	O RING**	1				
36	34901401	COMPRESSION SPRING	1	69	15108301	SPRING	1				
37	34903701	SAFETY ADJUSTING LEVER	1	70	OR02514V	O RING**	2				
38	34901501	NOSE, SOLID TYPE	1	71	23304501	PLUNGER	1				
39	34901701	NOSE COVER, SOLID TYPE	1	72	OR21015N	O RING**	1				
40	34901601	SET PLATE	1	73	23303801	TRIGGER VALVE CAP	1				

NO : L34950

DATE: 12/28/2010