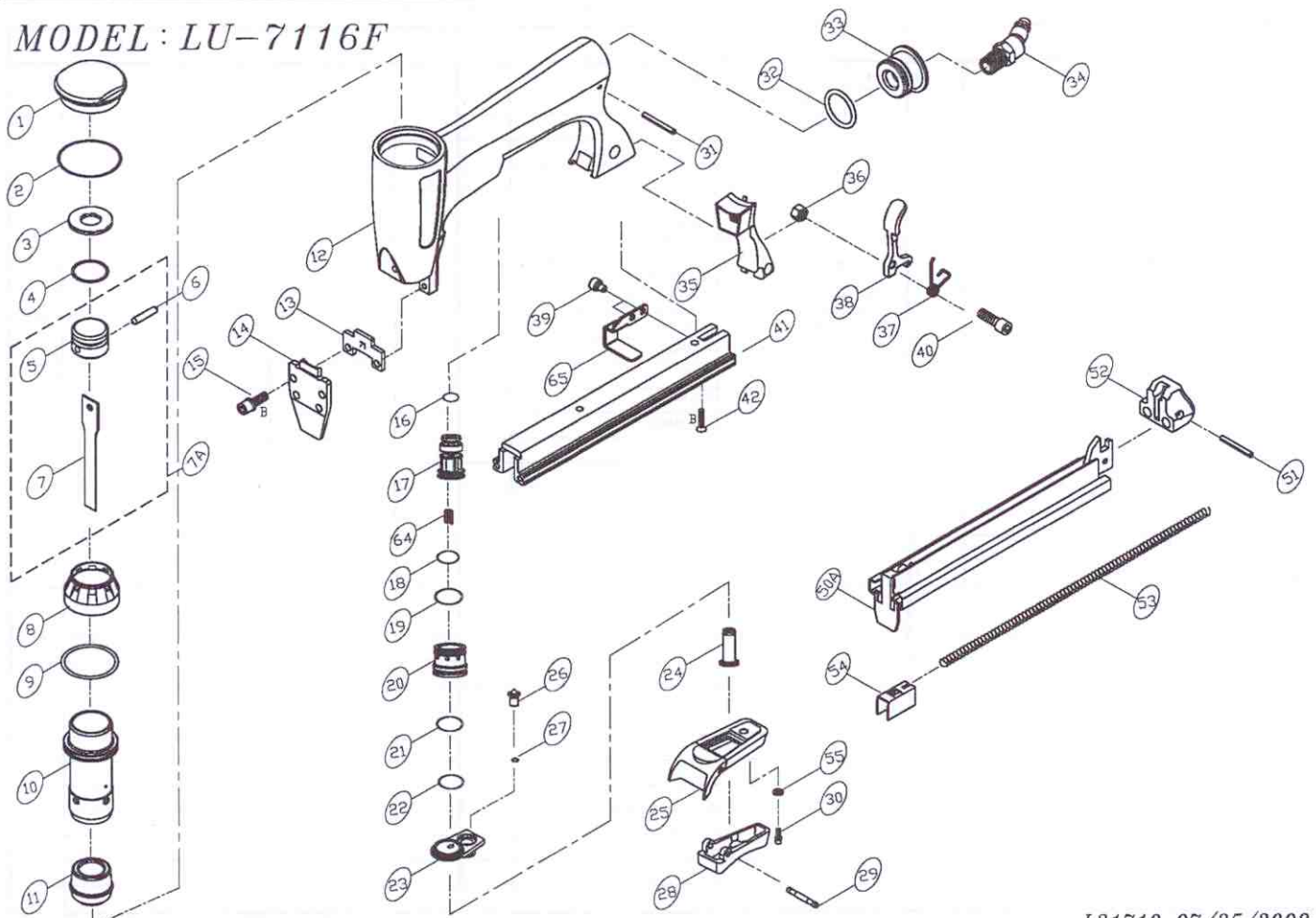


MODEL : LU-7116F



*B : APPLY LOCTITE 242

L31710 07/25/2008

PARTS LIST (LU-7116F)

*WHEN ORDERING SPARE PARTS, PLEASE STATE ITEM No., PART NO. AND DESCRIPTION.

ITEM	PART NO	DESCRIPTION	QTY	ITEM	PART NO	DESCRIPTION	QTY	ITEM	PART NO	DESCRIPTION	QTY
01	31600101	CAP	1	34	12106411	END SWIVEL PLUG MALE 1/4	1				
02	0R23026N	O RING	1	35	31603501	EXHAUST COVER	1				
03	31600301	PISTON STOPPER	1	36	130400N	LOCK NUT	1				
04	0R17126N	O RING	1	37	31603701	TOR SPRING	1				
05	31600501	PISTON	1	38	33403801	LATCH	1				
06	RP0418P	BALL PIN	1	39	HS04070B-05	HEX. SOC. HD. BOLT	2				
07	31700701	DRIVER	1	40	HS04070B-25	HEX. SOC. HD. BOLT	1				
07A	31700701A	DRIVER ASSEMBLY	2	41	31704102	MAGAZINE	1				
08	31600801	COLLAR	1	42	F804070B-10	FLAT. HD. BOLT	1				
09	0R26726N	O RING	1	50A	31705001A	STAPLE GUIDE ASSEMBLY	1				
10	31601001	CYLINDER	1	51	RP2524S	ROLLED PIN	1				
11	31601101	BUMPER	1	52	31605201	PU COVER	1				
12	31601201	BODY	1	53	31705301	SPRING	1				
13	31701301	SET PLATE	1	54	31705401	PUSHER	1				
14	31701401	NOSE	1	55	F8040100B-08	FLAT WASHER	1				
15	HS04070B-16	HEX. SOC. HD. BOLT	4	64	27203701	SPRING	1				
16	0R07626N	O RING	2	65	31705501	VALVE PLATE	1				
17	31601701	VALVE PLUNGER	1								
18	0R12418N	O RING	1								
19	0R15618N	O RING	1								
20	31602001	VALVE CYLINDER	1								
21	0R17313N	O RING	1								
22	0R17218N	O RING	1								
23	31602301	PLUNGER COVER	1								
24	31602401	CONNECTING TUBE	1								
25	31602501	TRIGGER BASE	1								
26	31602601	TRIGGER VALVE STEM	1								
27	0R02518N	O RING	2								
28	31602801	TRIGGER	1								
29	31602901	PIN	1								
30	HS04070B-10	HEX. SOC. HD. BOLT	1								
31	RP3025S	ROLLED PIN	1								
32	0R20326N	O RING	1								
33	31603301	END CAP	1								

NO : 131710

DATE: 07/25/2008