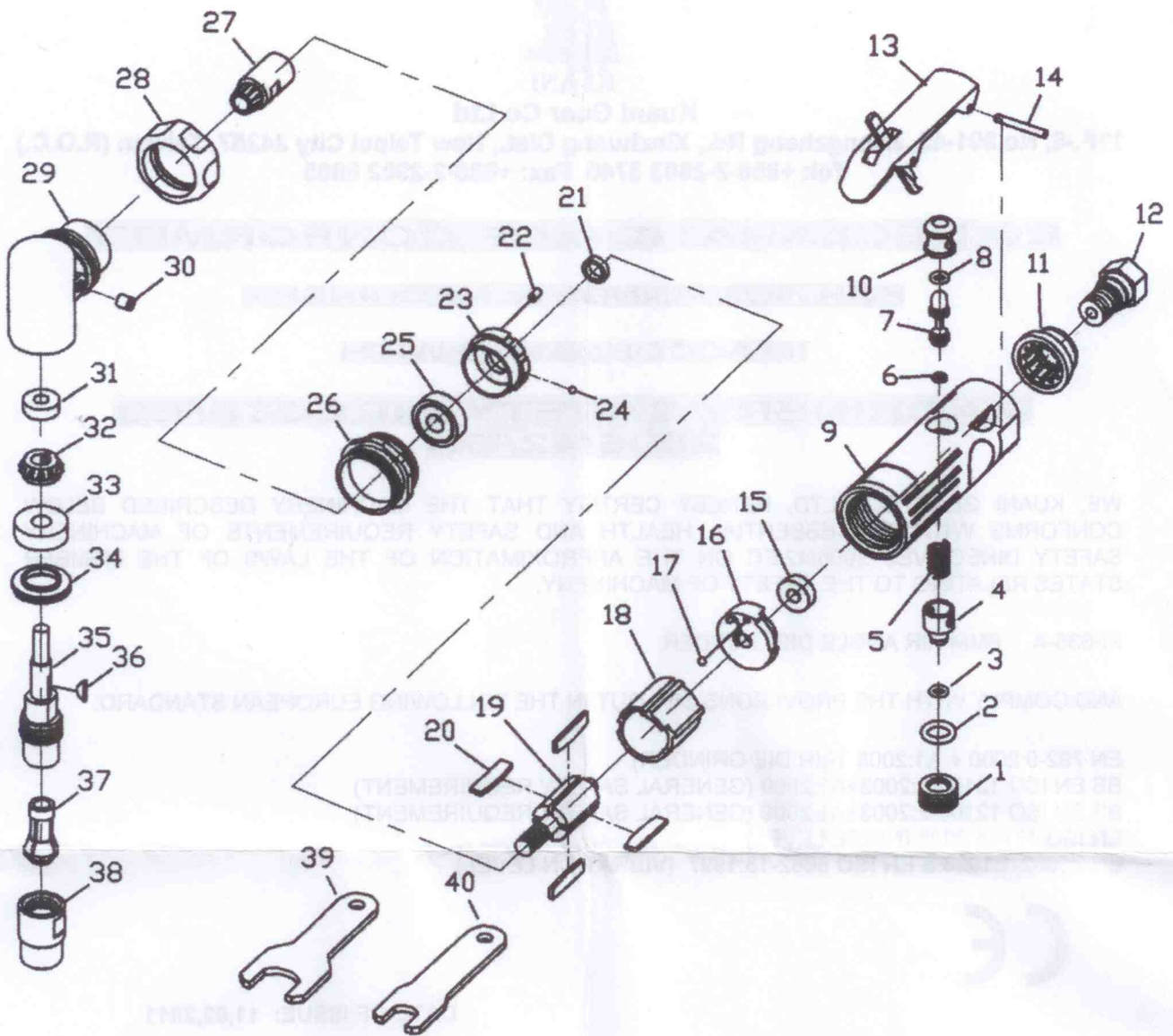


# HEAVY DUTY AIR ANGLE DIE GRINDER



635-A

INDEX NO.	DESCRIPTION	REQ'D NO.	INDEX NO.	DESCRIPTION	REQ'D NO.
01	Plug Screw	1	21	Rotor Collar	1
02	O-Ring	1	22	Locating Pin	1
03	O-Ring	1	23	Bearing Plate	1
04	Air Regulator	1	24	Ball	1
05	Valve Spring	1	25	Bearing	1
06	O-Ring	1	26	Lock Ring	1
07	Valve Stem	1	27	Piston Gear	1
08	O-Ring	1	28	Cap	1
09	Motor Housing	1	29	Angle Head Housing	1
10	Valve Bushing	1	30	Grease Cap	1
11	Muffler	1	31	Bearing	1
12	Air Inlet	1	32	Spindle Gear	1
13	Lever	1	33	Bearing	1
14	Lever Pin	1	34	Clamp Nut	1
15	Bearing	1	35	Spindle	1
16	Bearing Plate	1	36	Woodruff Key	1
17	Ball	1	37	Collet	1
18	Cylinder	1	38	Collet Nut	1
19	Rotor	1	39	Wrench (17mm)	1
20	Rotor Blade	4	40	Wrench (11mm)	1

2008.07.04

2007.03.05 2008.09.22