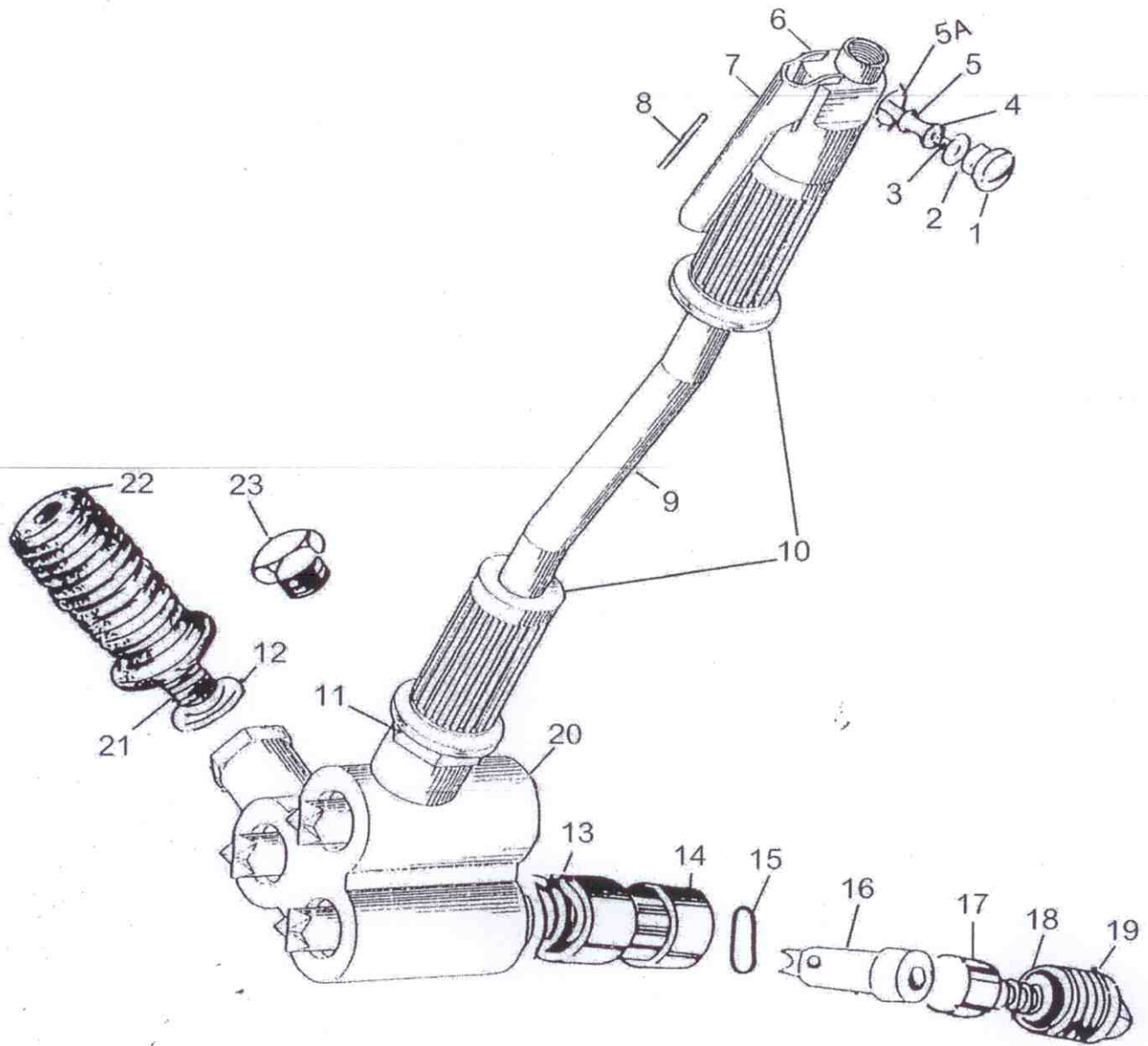


HEAVY DUTY AIR SCALING HAMMER



4733

INDEX NO.	DESCRIPTION	REQ'D NO.	INDEX NO.	DESCRIPTION	REQ'D NO.
01	Valve Cap	1	12	O-Ring (P14)	2
02	O-Ring-Valve Cap (7.8×2.5)	1	13	Brush Seal	3
03	Valve Spring	1	14	Cylinder	3
04	Valve Stem	1	15	O-Ring (AS-124)	3
05	O-Ring Valve Stem	1	16	Piston	3
05A	O-Ring (2×1.5)	1	17	Spring Cap	3
06	Valve Body	1	18	Spring	3
07	Throttle Lever	1	19	Plunger Cap	3
08	Roll Pin	1	20	Body	1
09	Handle	1	21	Side Handle	1
10	Rubber Handle Grip	2	22	Secondary Rubber Handle Grip	1
11	Lock Nut	1	23	Plug	1

0000.00.00
2003.04.02