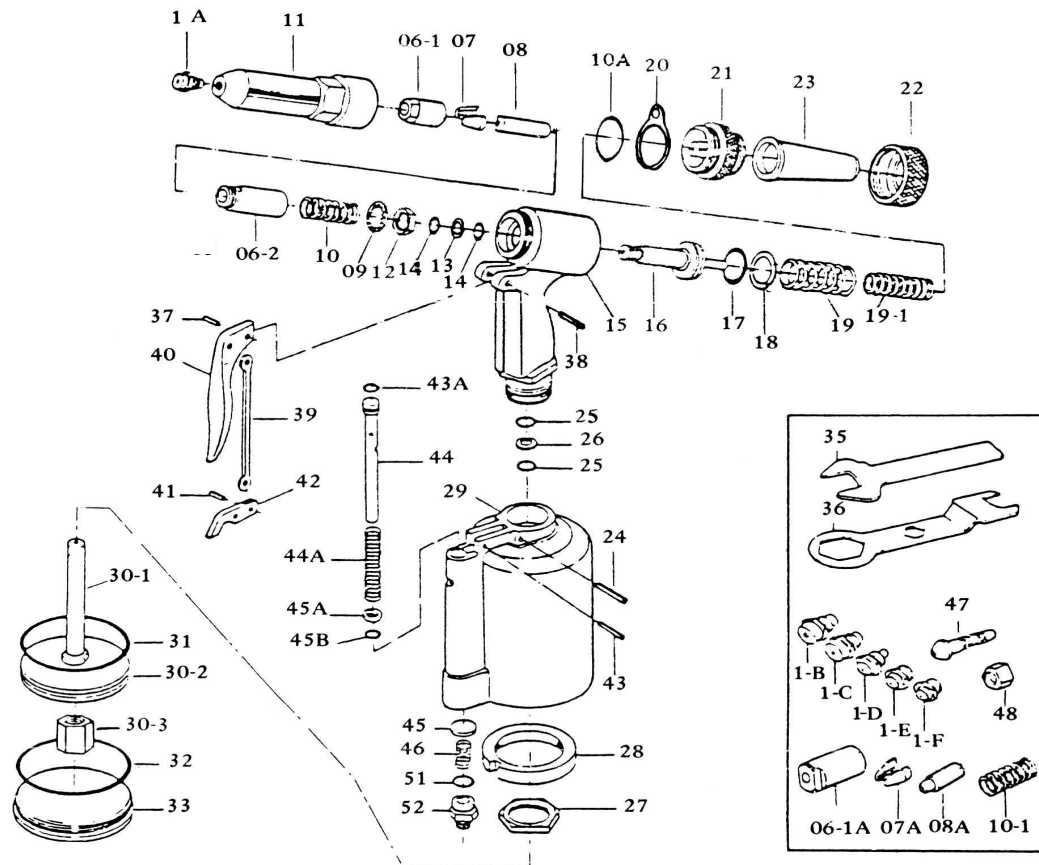


1/4" HEAVY DUTY AIR HYDRAULIC RIVETER



KI-4203

INDEX NO.	DESCRIPTION	REQ'D Q'TY	INDEX NO.	DESCRIPTION	REQ'D Q'TY
01A	Nosepiece (1/4")	1	25	Back Up O-Ring	2
01B	Nosepiece (7/32")	1	26	Back Up Ring	1
01C	Nosepiece (3/16")	1	27	Frame Lock Nut	1
01D	Nosepiece (5/32")	1	28	Rubber Cushion	1
01E	Nosepiece (1/8")	1	29	Air Cylinder (φ91×155mm)	1
01F	Nosepiece (3/32")	1	30-1	Air Piston Stem (φ16×140mm)	1
06-1	Jaw Case Front Tart For (1/4", 7/32", 3/16")	1	30-2	Air Piston	1
06-1A	Jaw Case Front Tart For (5/32", 1/8", 3/32")	1	30-3	Air Piston Lock Nut	1
06-2	Jaw Case End Tart	1	31	Air Piston O-Ring	1
07	Jaw For (1/4", 7/32", 3/16")12m/m(2pcs/set)	1set	32	Cylinder O-Ring	1
07A	Jaw For (5/32", 1/8", 3/32")8m/m(2pcs/set)	1set	33	Cylinder Cap	1
08	Jaw Pusher For (1/4", 7/32", 3/16")	1	35	Spanner Gauge	1
08A	Jaw Pusher For (5/32", 1/8", 3/32")	1	36	Spanner	1
09	Case Washer Ring	1	37	Trigger Pin	1
10	Jaw Pusher Spring For (1/4", 7/32", 3/16")	1	38	Connector (φ3×22mm)	1
10-1	Jaw Pusher Spring For (5/32", 1/8", 3/32")	1	39	Trigger Rod	1
10A	Frame Cap O-Ring	1	40	Trigger	1
11	Frame Head	1	41	Connector	1
12	Case Lock Nut	1	42	Trigger Lever	1
13	Back Up Ring	1	43	Lever Pin (φ3×18mm)	1
14	Back Up O-Ring	2	43A	Valve Pusher O-Ring	1
15	Frame	1	44	Valve Pusher (φ12×123.8mm)	1
16	Oil Piston	1	44A	Valve Spring	1
17	Oil Piston O-Ring	1	45	Valve	1
18	Back Up Ring	1	45A	Valve Collar	1
19	Return Spring (Large)	1	45B	Collar O-Ring	1
19-1	Return Spring (Small)	1	46	Valve Spring (Bottom)	1
20	Hanging Clip	1	47	Inlet Bushing	1
21	Frame Cap	1	48	Inlet Bushing Nut	1
22	Frame Cap Nut	1	51	Valve Cap O-Ring	1
23	Safety Cap	1	52	Valve Cap	1
24	Setting Screw Pin	1			

0000.00.00

2003.04.02 2004.04.20