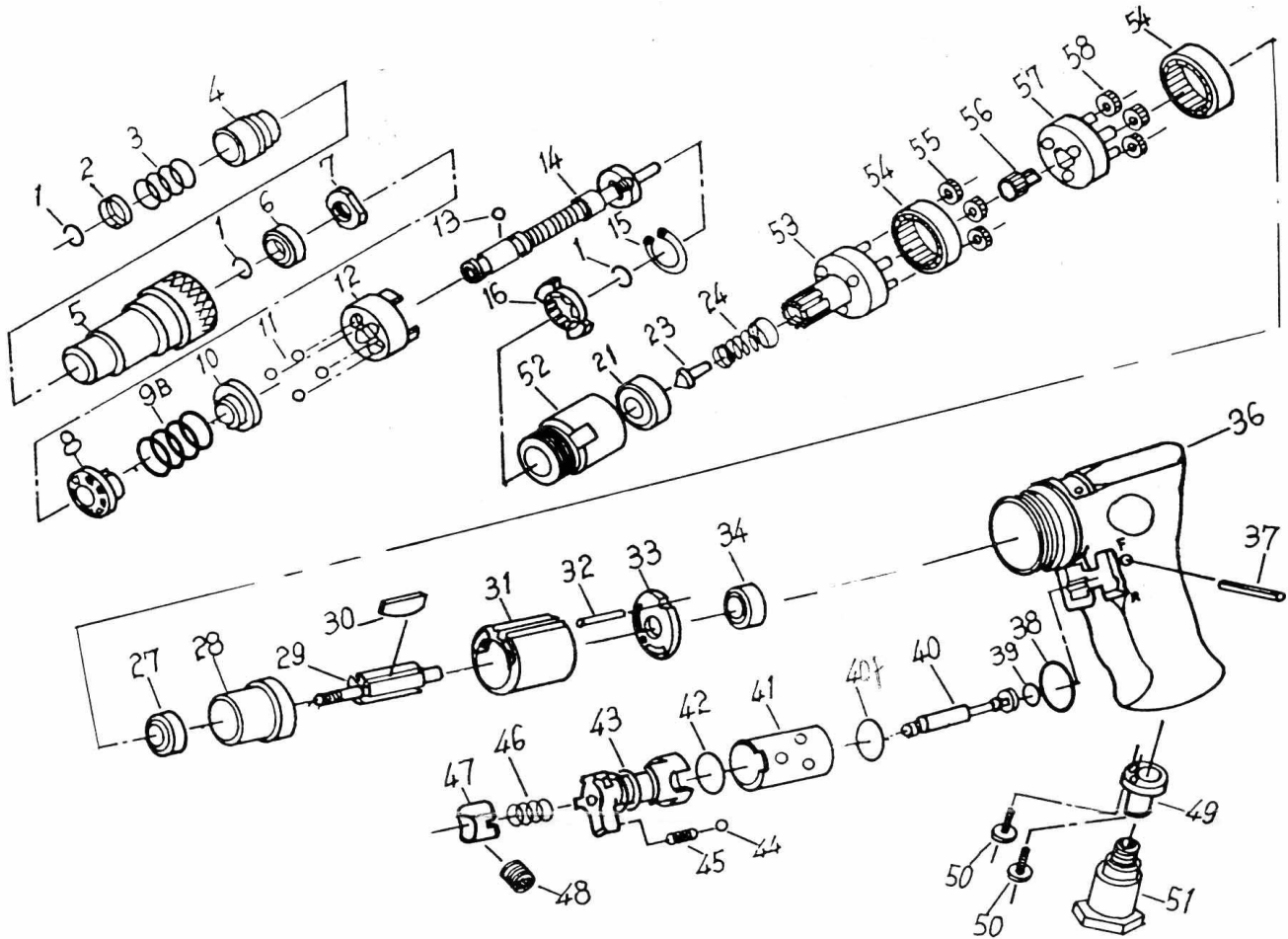


1/4" PISTOL-GRIP REVERSIBLE POSITIVE SCREWDRIVER



KI-3216

INDEX NO.	DESCRIPTION	REQ'D Q'TY	INDEX NO.	DESCRIPTION	REQ'D Q'TY
01	Retaining Ring	3	34	Ball Bearing	1
02	Washer	1	36	Motor Housing	1
03	Spring	1	37	Pin	1
04	Ball Beleader	1	38	O-Ring	1
05	Clutch Housing	1	39	O-Ring	1
06	Sleeve Bearing	1	40	Throttle Valve	1
07	Adjusting Nut	1	40P	O-Ring	1
08	Washer	1	41	Reverse Valve Bushing	1
09	Spring	1	42	O-Ring	1
10	Washer	1	43	Reverse Valve	1
11	Steel Ball	4	44	Steel Ball	1
12	Clutch Carrier	1	45	Detent Rubber	1
13	Steel Ball	1	46	Spring	1
14	Cam Spindle	1	47	Trigger	1
15	Retaining Ring	1	48	Screw	1
16	Drive Dog	1	49	Exhaust Deffuser	1
21	Ball Bearing	1	50	Screw	2
23	Spring Guide	1	51	Inlet Bushing	1
24	Spring	1	52	Clutch Housing	1
27	Ball Bearing	1	53	Carrier	1
28	Front End Plate	1	54	Internal Gear	2
29	Rotor	1	55	Planet Gear	3
30	Rotor Blade	5	56	Gear Spindle	1
31	Cylinder	1	57	Carrier	1
32	Pin	1	57P	Pin	3
33	Rear End Plate	1	58	Planet Gear	3

0000.00.00

2003.04.02