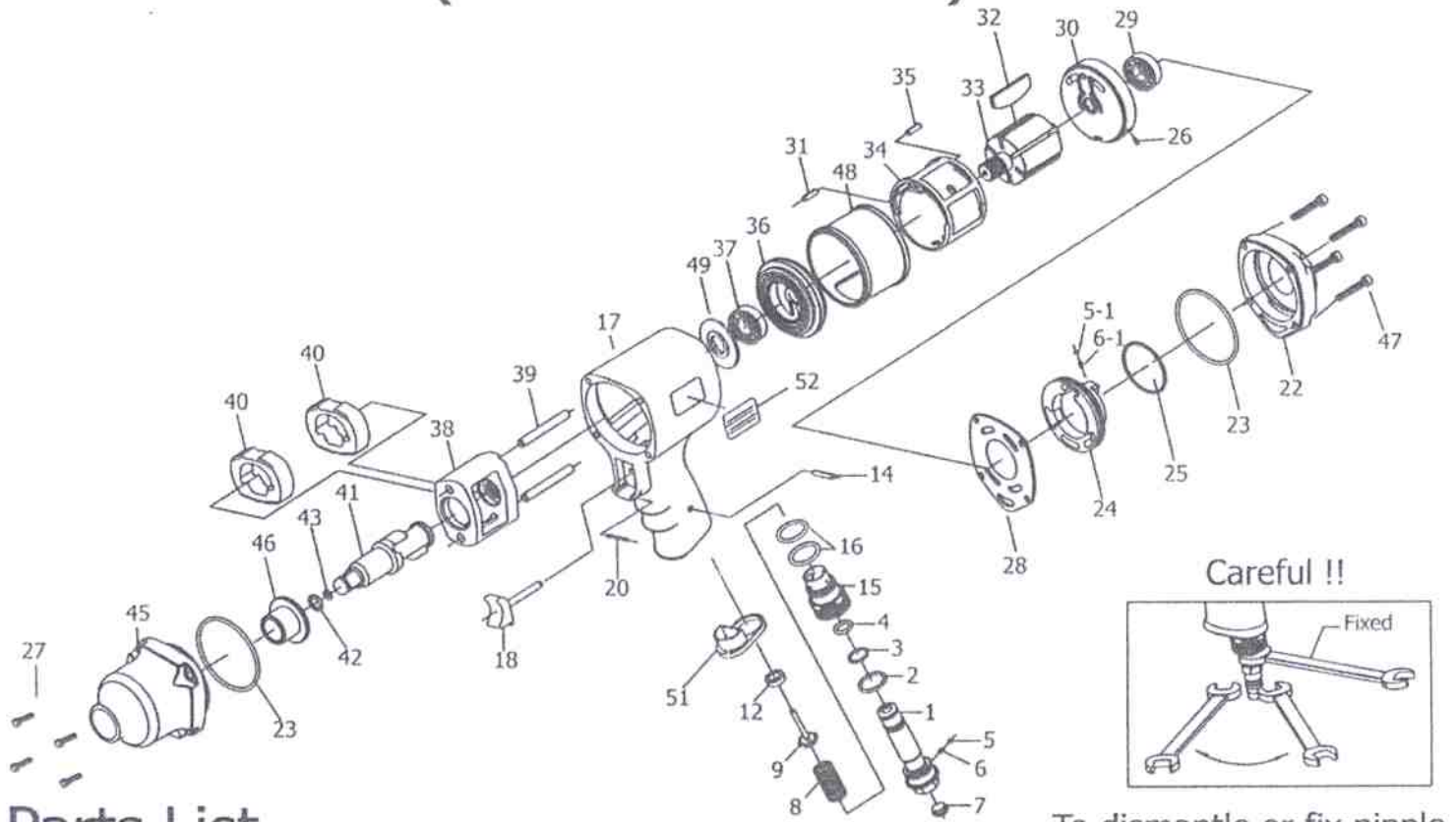


1/2" DR. AIR IMPACT WRENCH (TWIN-HAMMER)



Parts List

Index No.	Parts No	Q'ty Req	Description
1	AT-200-1	1	Air Inlet
2	AT-200-2	1	O Ring
3	AT-200-3	1	O Ring
4	AT-200-4	1	O Ring
5	AT-200-5	1	Steel Ball
5-1	AT-200-5-1	1	Steel Ball
6	AT-200-6	1	Spring
6-1	AT-200-6-1	1	Spring
7	AT-200-7	1	Dust Cover
8	AT-200-8	1	Spring
9	AT-200-9	1	Throttle Valve
12	AT-200-12	1	Throttle Valve Spacer
14	AT-200-14	1	Spring Pin
15	AT-200-15	1	Regulator Valve
16	AT-200-16	2	O Ring
17	AT-200-17	1	Motor Housing
18	AT-200-18	1	Trigger
20	AT-200-20	1	Spring Pin
22	AT-200-22	1	Housing Cover
23	AT-200-23	2	O Ring
24	AT-200-24	1	Reverse Valve
25	AT-200-25	1	O Ring
26	AT-200-26	1	Spring Pin
27	AT-200-27	4	Screw

Index No.	Parts No	Q'ty Req	Description
28	AT-200-28	1	Housing Cover Packing
29	AT-200-29	1	Bearing
30	AT-200-30	1	Rear End Plate
31	AT-200-31	1	Spring Pin
32	AT-200-32	6	Vane
33	AT-200-33	1	Rotor
34	AT-200-34	1	Cylinder
35	AT-200-35	1	Spring Pin
36	AT-200-36	1	Front End Plate
37	AT-200-37	1	Bearing
38	AT-200-38	1	Hammer Frame
39	AT-200-39	2	Hammer Pin
40	AT-200-40	2	Hammer
41	AT-200-41	1	Anvil (1/2"DR)
42	AT-200-42	1	Anvil Collar
43	AT-200-43	1	O Ring
45	AT-200-45	1	Hammer Housing
46	AT-200-46	1	Bushing
47	AT-200-47	4	Screw
48	AT-200-48	1	Cylinder Cover
49	AT-200-49	1	Washer
51	AT-200-51	1	Exhaust Deflector
52	AT-200-52	1	Name plate

To dismantle or fix nipple