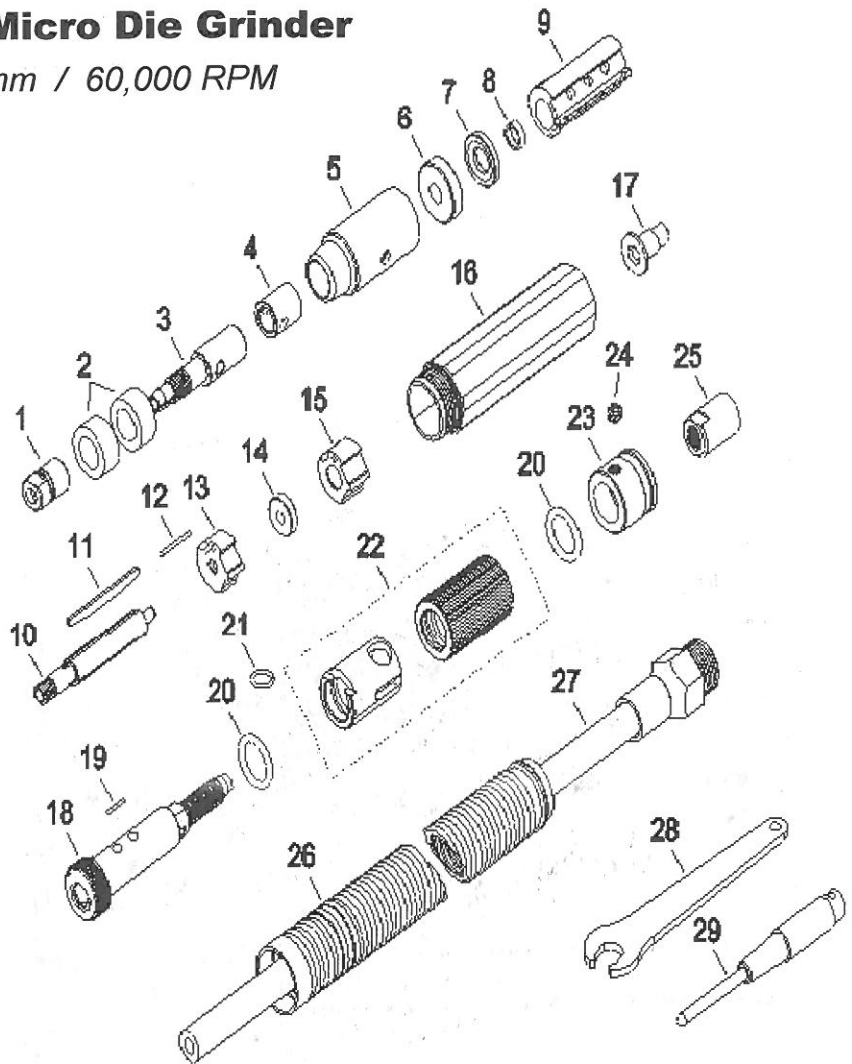


Industrial Air Micro Die Grinder

Capacity: 1/8" or 3mm / 60,000 RPM



No.	Part No.	Description	Q'ty
1	360500100	Collet Nut	1
2	360500200	Ball Bearing	2
3	360500300	Collet 3mm (For 605)	1
3	3605A0300	Collet 1/8" (For 605A)	1
4	360500400	Sliding Knob	1
5	360500500	Collet Housing	1
6	360500600	Ball Bearing	1
7	360500700	Front End Plate	1
8	360500800	Bearing Spacer	1
9	360500900	Cylinder	1
10	360501000	Rotor	1
11	360501100	Rotor Blade	3
12	360501200	Cylinder Pin	1
13	360501300	Rear End Plate	1
14	360501400	Ball Bearing	1
15	360501500	Intake Plate	1

No.	Part No.	Description	Q'ty
16	360501600	Housing	1
17	360501700	Plug	1
18	360501800	Hose Plug	1
19	360501900	Pin	1
20	360502000	O-Ring	2
21	360502100	O-Ring	1
22	360502200	Air Regulator	1
23	360502300	Rear End Holder	1
24	360502400	Screw	1
25	360502500	Hose Net	1
26	360502600	Exhaust Hose	1
27	360502700	Hose Assembly	1
28	360502800	Collet Wrench	1
29	360502900	Collet Dowel	1
*30	360503000	Nipple	1

*Not Illustrated

605/605A, Q01